



EDI Technical specification

LIMCLM (CLMLRC)

Carrier Claim Notification: LIRMA

Issue Date: November 2024

Copyright Information

© Velonetic™ 2024

All rights reserved. No part of this publication may be reproduced, stored in a retrieval system, or transmitted in any form or by any means, electronic, mechanical photocopying, recording, or otherwise, without the prior permission of Velonetic.

Note only signed hard copies and electronic masters of documents will be controlled. Any other copy may not be current.

Trademark Information

Company, product, or brand names mentioned in this document, may be the trademarks of their owners.

Contents

use of the technical specification	5
1 Introduction	7
1.1 Background	8
1.1 INTERCHANGE AGREEMENT	8
1.2 MESSAGE DESIGN STANDARDS	8
1.3 TERMS AND DEFINITIONS	9
1.4 USE OF SEPARATORS	10
2 OPERATING CONSIDERATIONS	11
2.1 I.E REGISTRATION	11
2.2 OPERATING TIMETABLE	11
2.3 AUDIT AND CONTROL	11
2.4 SERVICE DESK	11
2.4 RE-TRANSMISSION	12
2.5 CHANGE CONTROL	12
3 LONDON INSURANCE MARKET CLAIMS MESSAGE	13
3.1 BUSINESS OVERVIEW	13
4 MESSAGE Structure	16
4.1 Message Diagram	16
4.2 SEGMENT DESCRIPTIONS	19
4.3 SEGMENT GROUP 3	20
4.4 SEGMENT GROUP 4	20
4.5 SEGMENT GROUP 5	21
4.6 SEGMENT GROUP 6	21
4.7 SEGMENT GROUP 7	22
4.8 SEGMENT GROUP 8	22
4.9 SEGMENT GROUP 9	23
4.10 SEGMENT GROUP 10	23
4.11 SEGMENT GROUP 11	23

4.12	SEGMENT GROUP 12	24
4.13	SEGMENT DEFINITIONS	24
5	MESSAGE COMPLETION INSTRUCTIONS	37
5.1	CHD - CLAIM DETAILS HEADER	37
5.2	Description:- Unique Reference that identifies the claim.	37
5.3	NAD - NAME AND ADDRESS	42
5.4	CTA - CONTACTS	46
5.5	RFF - References	47
5.6	CRD - CLAIM RISK DETAILS	49
5.7	AMT - AMOUNT DETAILS	53
5.8	CLM - CLAIM DETAILS	56
5.9	DTM - DATE/TIME REFERENCE	59
5.10	CUX - CURRENCIES	66
5.11	CSC - CLAIM STATISTICAL CODES	68
5.12	AMT - AMOUNT DETAILS	68
5.13	TRI - TAX RELATED INFORMATION	75
5.14	FTX - FREE TEXT	75
5.15	MKT - INSURING MARKET DETAILS	81
5.16	RES - INSURING MARKET RESPONSE DETAILS	83
5.17	RFF - REFERENCES	86
5.18	Free Text - SEGMENT TAG FTX	88
5.19	DATE/TIME REFERENCE - SEGMENT TAG DTM	89
5.20	INSURING MARKET AMOUNT DETAILS - SEGMENT TAG MAM	90
5.21	BUREAU LEAD RESPONSE DETAILS - SEGMENT TAG LDR	92
5.22	SDC - SIGNING DETAILS FOR CLAIM	101
5.23	MKT - INSURING MARKET DETAILS	104
5.24	LCR - LETTER OF CREDIT DETAILS	104
5.25	BLK - BULK DETAILS	104
5.26	CUX - CURRENCIES	106
5.27	AMT - AMOUNT DETAILS	108

	5.28	CMI - CLAIM ITEMS.....	112
6	Appendix 1	113	

USE OF THE TECHNICAL SPECIFICATION

Update - Month 2023: This technical specification was released in March 2023 and replaces the previous version dated February 2023

Update - March 2023: This technical specification was released in March 2023 and replaces the version dated February 2003. The February 2003 version has been split into two documents CLMLRB for brokers and CLMLRC for carriers. The following changes have been made:

Formatting has been applied to reflect the technical specification has been published by the London Market Joint Venture.

Section Number/Name	Change	Reason for Change
Front section	Has been updated to remove any references to Xchanging and has been replaced with those for the DXC Service Desk	Spec amended
Segment Name Claim Items CMI	Removed 0831 Major Casualty/Related Event Code Removed 0832 Property Claims Services Event Code Removed 0828 Loss Location Removed 0891 Bureau Primary Claim Reference Removed 0892 Not Recoverable Indicator Removed 0893 Inner Aggregate Indicator Added Filler	Spec amended by the mainframe team

Segment Name Claim Statistical Codes CSC	Completely removed as not used for CLMLRC	Spec amended by the mainframe team
Segment Name Contact CTA	Removed 3413 Department or Employee, Coded Added Filler to above Removed 3153 Communication Channel Identifier Added Filler to above	Spec amended by the mainframe team
Segment Name Currencies CUX - Reference and Target Currency	Removed 6343 Currency Qualifier Added Filler to above	Spec amended by the mainframe team
Segment Name Date/Time	Removed 2461 Time Zone	Spec amended by the
Reference DTM	Specifier, Coded Added Filler to above	mainframe team
Segment Name Name and Address NAD	Removed 1131 Code List Identifier, coded Removed C058 Name and Address Removed C080 Party Name, 3036 Party Name Removed C059 Street, 3042 Street and Number/P.O Box Removed 3164 City Name Removed 3229 Country Sub Entity Code Removed 3251 Postal Code Removed 3207 Country, Coded	Spec amended by the mainframe team

Segment Name Reference RFF	Removed C274 Reference 1156 Line Number Added Filler	Spec amended by the mainframe team
Segment Name Schedule Line Items SCH	Completely removed as not used for CLMLRC	Spec amended by the mainframe team
Segment Name Schedule Line Items TRI	Completely removed as not used for CLMLRC	Spec amended by the mainframe team
Update - November 2024:		
Section Number/Name	Change	Reason for Change
	Vessel/Aircraft is stated as Not Used. Updated so element will now be stated as Conditional	Technical specification needs to reflect the build and Vessel/Aircraft details are used in production messages.

1 INTRODUCTION

1.1 Background

The London Insurance Market Claims Message (LIMCLM) is a standard format for the transmission of claims advices and settlements via Information Exchange facilities within LIMNET.

This message format has been agreed by LIRMA, LIBC, Lloyd's and ILU as the standard for use in all networked claims dialogue between Broker and Bureaux

There is now a joint market decision that agreed message formats used for Broker and Bureau communication should also be used when there is a requirement for Bureaux and Company communication.

The decision has therefore been taken by the ILU to send claim information to companies via the London Market Standard Claims Message. The message contains segments which are not used by the ILU.

1.1 INTERCHANGE AGREEMENT

LIMCLM is a TCG sponsored message. The provisions of the LIMNET Interchange Agreement are applicable to its operation.

This technical manual is provided subject to the provisions of the LIMNET Interchange Agreement.

The provisions of the Interchange Agreement will always take precedence over the contents of this specification.

1.2 MESSAGE DESIGN STANDARDS

The London Market Standard Claims Message conforms with the following standards: -

- Electronic Data interchange for Administration, Commerce and Transport (EDIFACT)
- EDIFACT (UN ECE Syntax Rules) ISO 9735.
- London Insurance Market Data Standards.
- London Insurance Market Edifact Standards.

Several messages may be transmitted together in one 'interchange'. Each interchange will be enveloped by standard EDIFACT interchange header (UNB) and trailer (UNZ) segments.

Each message will be enveloped by standard EDIFACT message header (UNZ) and trailer (UNT) segments.

1.3 TERMS AND DEFINITIONS

Interchange

A transmission of information between the Network members.

Message

A collection of data that represents a business transaction. Several messages may be transmitted together in one transmission.

Segment

A logical grouping of data that forms a part of a message. Each segment is given a unique identifier and has pre-defined position in a message.

Data Elements

An individual item of data which is included in the transaction.

Component Data Elements

A subordinate item of data which makes up a Data Element.

1.4 USE OF SEPARATORS

Each component Data Element (CDE) is separated by a single COLON character. If a conditional component data element is omitted its separator is retained if further components follow.

There is no COLON separator after the last component in an element and separators for components missing at the end of an element are suppressed.

E.g. CDE:CDE:CDE
 CDE::CDE (the second component is missing)
 CDE:CDE (the last component is missing)

Each Data Element (DE) is separated by a single PLUS character. If a conditional data element is omitted, its separator is retained if further data elements follow in that segment.

There is no PLUS separator after the last element in a segment, and separators for elements missing at the end of a segment are suppressed.

e.g. DE+DE+DE
 DE++DE (the second element is missing)
 DE+DE (the last element is missing)

Each segment is terminated by a single QUOTE character.

e.g. DE+DE+DE'

2 OPERATING CONSIDERATIONS

2.1 I.E REGISTRATION

Please refer to LPC Procedure Manual for the description of the IBM and ILU registration required.

2.2 OPERATING TIMETABLE

Signings will be transmitted each night, for the completed working day. Messages will normally be available for collection from the recipient's mailbox by 06.00 the following day.

2.3 AUDIT AND CONTROL

Controls will be provided in all messages transmitted by the ILU, as described in the LIMNET Manual and in the London Insurance Market Edifact Standards.

2.4 SERVICE DESK

A user discovering a problem with the message is requested to report it with all possible speed and detail. Speed is of the essence to ensure a minimum delay in rectifying the problem, notifying it to other users and avoidance of re-processing and/or backlogs.

Users are requested to ensure that any queries of a purely factual nature concerning XIS/XCS transactions are addressed to:

DXC Service Desk Telephone: 0870 380 0830

Email: servicedesk@dxc.com.

Any enquiries concerning the service, or particular transmissions, should be directed to:

DXC Messaging

Telephone: +44 2036046743

Email: XISProductionITMsg@dxc.coMN

2.4 RE-TRANSMISSION

Interchange will be available for re-transmission for six years.

The original INTERCHANGE CONTROL REFERENCE and MESSAGE NUMBER will be repeated in a re-transmission.

2.5 CHANGE CONTROL

Enhancements to the LIMCLM message will be grouped together at convenient intervals, to form a new release of the message. The UNH Message Version Number will be incremented for each new release.

During that period, users may take the new version for testing, while continuing to receive the old version for live use.

After six months the old version will be withdrawn.

3 LONDON INSURANCE MARKET CLAIMS MESSAGE

3.1 BUSINESS OVERVIEW

3.1.1 General

The London Insurance Market Claims Message has been designed with the aim of allowing all types of claim to be processed. Data defined within the message falls into two main areas; general information required for the processing of all types of claim, and additional specific information required for the processing of certain identified special types of claim. There is also a large amount of completely free format text included to support the formatted data, and to allow the flexibility to report any additional data required for unusual types of claims.

It should be noted that it is not the intention of this message, in its current form, to completely replace the paper 'claims file' used at present within the London Market. Correspondence, Survey Reports and other physical documents will continue to be needed to support the claims agreement process within the London Market.

3.1.2 Bulk Advice/Settlements

Where many claims have been advised on the same risk, there is sometimes a requirement for several subsequent advice or settlements affecting individual claims to be grouped together into one transaction.

The detail given for each individual item included within a Bulk Advice/Settlement transaction is limited to brief descriptive data and amounts, with a cross reference to the UCR under which it was originally advised. This is catered for within the BLK segment grouping of the message.

3.1.3 Partial Collection

There are occasions when a Broker will want to collect a claim from the Insuring Market where each Insurer's settlement proportion of the claim does not follow the signed line he has written (e.g. where fee payments are only paid by a part of the Market, or where Loss Deposits are involved).

Where this is the case, the Broker can submit a Partial Collection settlement request, listing the Market involved within the message. Individual settlement amounts can then be specified against each Insurer.

3.1.4 Excess of Loss Aggregates

Where a claim is to be processed on an Excess of Loss Reinsurance contract with an Aggregate Limit or Excess involved, there will be a breakdown of all claims that apply to the contract.

Following discussions with claims adjusters, it has been decided to provide that breakdown as free form text.

3.1.5 Multi Currency Claims

Often there will be a requirement for the advice or settlement of a claim in various currencies (mainly on London Market Excess of Loss Reinsurance business). Where this is the case, one claim advice or settlement request transaction may include details of up to three different currency amounts.

The Insuring Market for one Bureau can also be split over several original Bureau signing references for an individual policy (e.g., Tax/non-tax companies, sectioned policies etc).

3.1.6 Letters of Credit

Letters of credit are usually set up upon the expiry of North American Reinsurance Policies, although they can be set up midway through the term of a policy in some cases. They are set up to cover known outstanding losses and are usually run by Citibank, although other banks can be used. They are set against the Reinsurer's accounts and allow the Reinsured to draw money against them in the USA at any time. With Citibank, a separate trust agreement is taken out between the lawyers, Mendes and Mount, and the Reinsured to control the drawings. Mendes and Mount will then advise Reinsurers of every claim against which a drawing has taken place.

The UK Broker will usually be advised of any claim settlement by the Reinsured, and therefore be aware of each potential LOC drawing before it occurs. It is at this stage that Brokers will currently

advise Reinsurers of the LOC drawing (i.e., before it actually occurs) and any consequent reductions in outstanding figures.

In some cases, where several drawings have already occurred, it is possible for the LOC balance to be insufficient to pay for the whole of a claim settlement. In these cases, the Broker will also want to collect a cash claim amount through Central Settlement at the same time as advising the LOC amount.

It is also possible that each reinsurer's participation in an LOC is different and therefore will run out at different times. In these cases, the Broker will want to collect cash amounts for the claim settlement in varying proportions depending on the individual Reinsurer's participation in the LOC.

3.1.7 Transfer of Business

This transaction occurs when a claim is transferred from one Broker to another.

4 MESSAGE STRUCTURE

4.1 Message Diagram

The following page shows a diagram of the message.

Segment SCH is not used by LIRMA

This diagram gives a definition of the location of segments within the claim message. Many of these messages can be included within one Interchange.

Individual segments are identified by a box containing a 'tag' (e.g. 'UNH') which corresponds to that used in the detailed description of each segment given in previous pages of this document.

Within each box there is an 'M' or a 'C' shown in the bottom lefthand corner, and also a numeric value shown in the bottom righthand corner.

The numeric value represents the number of times the segment may repeat in the position shown within the message. An 'M' means that at least one occurrence of the segment is mandatory (i.e. it must be transmitted), whilst a 'C' means that the segment is conditional (i.e. it need not be transmitted)

It should be noted that the conditional nature of a segment as defined within the diagram may be modified by additional stipulations shown within the Completion Instructions for the claim message.

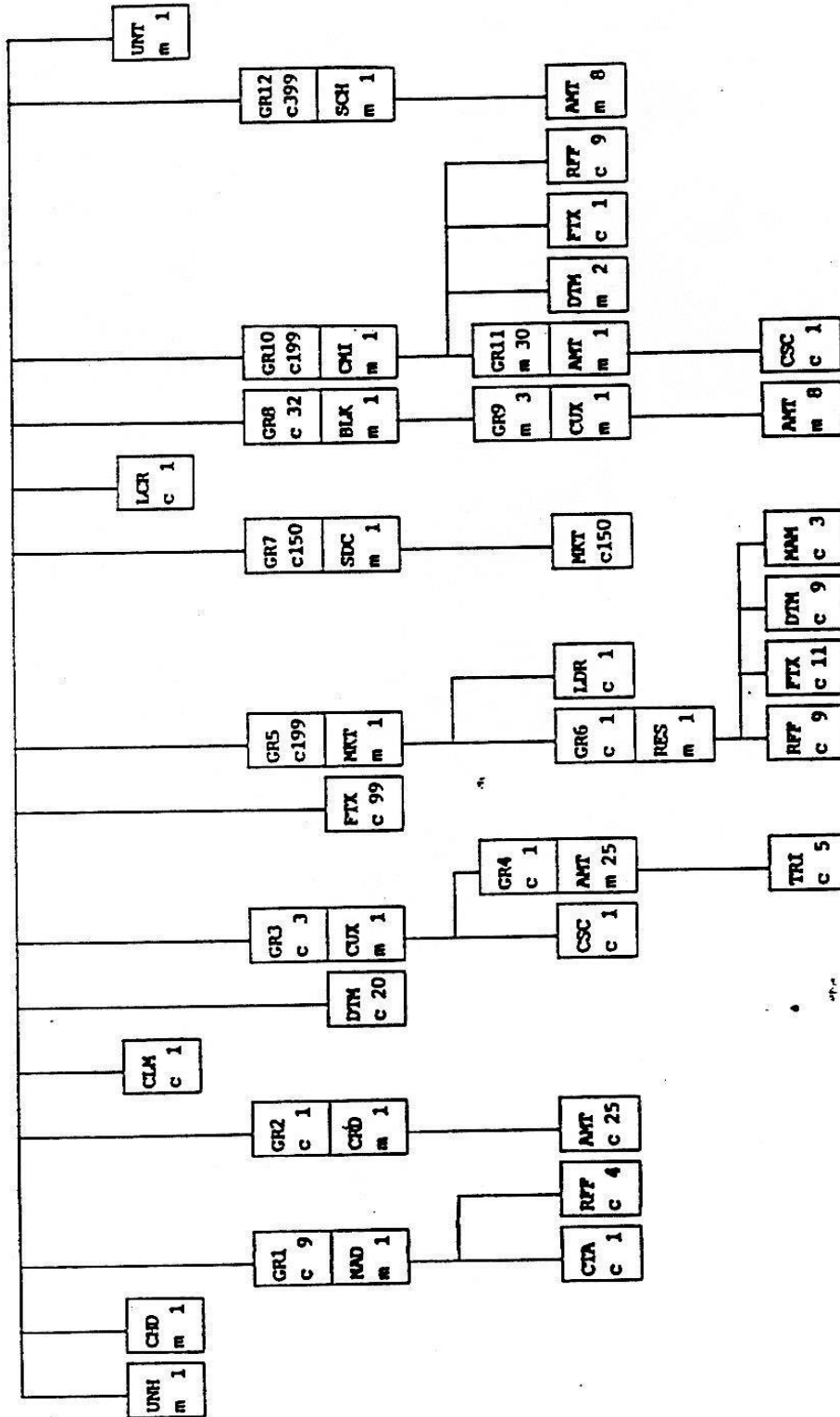
Some segments are part of a 'segment group'. The diagram signifies the start of a group by the addition of an extra section to the top of one of the segment boxes. This segment then becomes the first segment of the group. All segments within the structure below this are then part of the settlement group. Within the extra section a group reference is shown (e.g. 'GR1', 'GR2', etc), and a similar notation as described for individual segments is shown in the bottom left and right hand corners. This notation has the same meanings as have been previously outlined, except that they apply to the whole group of segments.

Individual segments within a group also have their own notation in exactly the same way as other segments. However, it should be noted that the notation will only apply if the segment group has been transmitted. For instance, within 'GR1' in the diagram, the NAD segment is shown as 'M' (mandatory), although the segment group of which it forms a part is shown as 'C' (conditional). In

this case, the group need not be transmitted at all, however if it is transmitted, then the NAD segment must be transmitted.

It is important to note that the message diagram gives only a very simple picture of the data requirements of the message. The completion instructions for the claim message should be studied in conjunction with this in order to identify all mandatory segments and data elements required.

LONDON MARKET STANDARD CLAIMS MESSAGE



LIMCLM - VERSION 2.1

4.2 SEGMENT DESCRIPTIONS

4.2.1 UNB Interchange Header

A mandatory segment that starts a communication interchange. It contains sender and recipient addresses and provides an interchange control reference for identification.

4.2.2 UNH Message Header

A mandatory segment that starts a message. It identifies the type of message and provides a message reference number for audit and control.

4.2.3 CHD Claim Header Details

A mandatory segment that identifies a claim and denotes the type of message.

4.2.4 SEGMENT GROUP 1

NAD Name and Address

A segment, which identifies a participant in the claim.

4.2.4.1 CTA Contacts

A segment that gives the name of a person or department in the participants organisation to whom communication about the claim should be directed.

4.2.4.2 RFF Reference

A segment that gives the participant's reference to be used in communications concerning the claim.

The segment is repeated for each of the participant's references.

4.2.5 SEGMENT GROUP 2

4.2.5.1 CRD Claim Risk Details

A segment that contains details of the risk on which the claim has occurred.

4.2.5.2 AMT Amount Details

A segment that gives details of the various risk amounts. The segment is repeated for each amount.

4.2.5.3 CLM Claim Details

A segment that gives details of the dates relating to the claim.

This segment is repeated for each date provided.

4.2.5.4 DTM Date/Time

A segment that gives details of the dates relating to the claim.

This segment is repeated for each date provided.

4.3 SEGMENT GROUP 3

4.3.1 CUX Currencies

A segment that associates two currencies with a rate of exchange.

A 'CUX' segment must precede each set of amount details.

CSC Claim Statistical Codes

This segment is not used by LIRMA.

4.4 SEGMENT GROUP 4

4.4.1 AMT Amount Details

A segment that gives details of the various claim amounts.

This segment is repeated for each amount.

TRI Tax Related Information

This segment is not used by the LIRMA.

4.4.2 FTX Free Text

A segment that allows additional free format text details relating to the claim.

This segment is repeated for each type of text.

4.5 SEGMENT GROUP 5

MKT Market Details

This segment is used to describe the Insuring Market.

4.6 SEGMENT GROUP 6

4.6.1 RES Member Responses

This segment contains details of an insurer's response to a claim.

4.6.2 RFF References

This segment contains references for transmission from the Bureau to the LIRMA members.

4.6.3 DTM Date/Time

This segment gives details of dates to be transmitted by the Bureau to the LIRMA members.

4.6.4 MAM Member Amounts

This segment is sent via the Bureau to LIRMA members when the claim is circulated, giving details of the member amounts.

4.6.5 LDR Leader Details

This segment contains details of the lead insurer's responses for information.

4.7 SEGMENT GROUP 7

4.7.1 SDC Signing Details For Claim

A segment that gives the bureau signing reference.

Where a multi-currency settlement is involved, the segment is repeated for each signing number allocated by LIRMA.

4.7.2 MKT Market Details

This segment is not used by LIRMA in transmissions to members

LCR Letter of Credit Details

A segment that provides a Letter of Credit reference.

4.8 SEGMENT GROUP 8

4.8.1 BLK Bulk Details

A segment that gives details of individual claims included in a bulk settlement.

The segment is repeated for each component claim.

4.9 SEGMENT GROUP 9

4.9.1 CUX Currencies

A segment that gives the currencies of the bulk item amounts.

A CUX segment must precede each set of amount details.

AMT Amount Details

A segment that gives details of the bulk item amounts.

The segment is repeated for each amount.

4.10 SEGMENT GROUP 10

CMI Claim Items

This segment is not used by LIRMA.

4.11 SEGMENT GROUP 11

AMT Amount Details

This segment is not used by LIRMA.

CSC Claim Statistical Codes

This segment is not used by LIRMA.

DTM Date/Time

This segment is not used by LIRMA.

FTX Free Text

This segment is not used by LIRMA.

RFF References

This segment is not used by the LIRMA.

4.12 SEGMENT GROUP 12

SCH Schedule Details

This segment is not used by LIRMA.

AMT Amount Details

This segment is not used by LIRMA.

4.12.1 UNT Message Trailer

A mandatory segment that ends a message. It repeats the message reference number given in the UNH segment, and provides a count of the number of segments in the message (including the UNH and UNT segments).

4.12.2 UNZ Interchange Trailer

A mandatory segment that ends a communication interchange. It repeats the interchange control reference given in the UNB segment, and provides a count of the number of messages in the interchange.

4.13 SEGMENT DEFINITIONS

The following pages provide a list of all the data elements contained within the London Market Standard Claim Message.

In each instance an element reference number is given, accompanied by the element name and format.

Data formats are described using the following conventions:

- 'a' denotes an alphanumeric field
- 'n' denotes a numeric field
- (..) indicates the number of characters permitted.

The usage of the element within the segment is shown as:

MANDATORY the element is always required if the segment is included in a message

CONDITIONAL the element may be omitted, or the requirement for it is subject to specific conditions.

Where elements are used together as components of a group, the composite data element is shown without a data format.

The contents of each segment are detailed within the following pages.

The standard Edifact segments UNB, UNH, UNT and UNZ are not detailed here as they do not apply only to the claims message. Please refer to the LIMNET Manual for details of the contents of these segments.

Segment definitions are given only once, in alphabetical order, even though they may appear at several places within the message.

The order in which the segments repeat within the message, and also details of permitted repetitions and segment grouping, can be determined from the message diagram.

Segment Name General Amounts AMT

Function To report Insurance amounts

Description:

	Segment Tag	M	an3
C803	AMOUNT DETAILS	M	
0836	Amount Type	M	an..3
0838	Amount for Item	C	n..15
0837	Amount Currency	C	a3
0839	Amount Qualifier	C	an..3

Segment Name Bulk Advice/Settlement details BLK

Function To report items included within bulk claims

Description :

	Segment Tag	M	an..3
0801	UNIQUE CLAIM REFERENCE	M	an..17
0802	TRANSACTION REFERENCE	M	an..17
0876	LOSS DATE	C	n8
0829	LOSS NAME	C	an..20
1807	CLAIM SEQUENCE NUMBER	C	n..3

Segment Name Claim Details Header CHD

Function To provide claim advice and/or settlement transaction header details.

Description:

	Segment Tag	M	an..3
0801	UNIQUE CLAIM REFERENCE	M	an..17
0802	TRANSACTION REFERENCE	M	an..17

C801	TRANSACTION PROCESSING IND	M	
0803	Transaction Type	M	an..3
0804	Transaction Type Qualifier	M	an..3
0805	Transaction Subtype	C	an..3
0806	Transaction Validation Response	C	an..3
0885	TYPE OF CLAIM	C	an..3
0886	PARTIAL COLLECTION INDICATOR	C	al
0807	UNIQUE MARKET REFERENCE	C	an..17
0810	ATTACHMENTS INDICATOR	C	an1
0811	NUMBER OF OUTSTANDING RESPONSES	C	n2
0813	LOSS PREV ADVISED NON NETWORK	C	a1
0814	CONTRACTUAL AGREEMENT CODE	C	al
0815	CEDANT IN LIQUIDATION INDICATOR	C	al
0883	ASSOCIATED CLAIM REFERENCE	C	an..17
0884	ASSOCIATED TRANSACTION REFERENCE	C	an..17
0887	CONFIDENTIALITY INDICATOR	C	al
1807	CLAIM SEQUENCE NUMBER	C	n..3

Segment Name Claim Details CLM

Function To give details relating to an insurance claim

Description:

	Segment Tag	M	an..3
0828	LOSS LOCATION	C	an..50

0829	LOSS NAME	C	an..20
0830	VESSEL/AIRCRAFT	C	an..50
0831	MAJOR CASUALTY/RELATED EVENT CODE C		an..4
0832	PROPERTY CLAIMS SERVICES CODE	C	an..4
0833	TOTAL LOSS INDICATOR	C	al
0834	WAR INDICATOR	C	al
0835	CLAIMANT	C	an..50
0840	CLAIM TYPE CODE	C	an..3
0842	YEAR OF ACCOUNT	C	n4
1806	ORIG POLICY CLAIM REFERENCE	C	an..17

Segment Name Claim Risk Details CRD

Function To describe a Risk to which a claim attaches, where details do not already exist.

Description:

	Segment Tag	M	an..3
0816	INSURED	C	an..50
0817	REINSURED/RETROCEDANT	C	an..50
0827	ORIGINAL INSURED	C	an..50
0818	INTEREST	C	an..70
0819	PERILS/CONDITIONS	C	an..70
0820	LOCATION/VOYAGE	C	an..70
C802	SLIP ORDER	C	
0821	Slip Order Non Standard	C	al
0822	Slip Order 1	C	n..10
0823	Slip Order 2	C	n..10

0894	RI XL AGG BASIS	C	a1
0824	BROKER POLICY REFERENCE 1	C	an..12
0825	BROKER POLICY REFERENCE 2	C	an..12

Segment Name Contact CTA

Function To identify a person or a department to whom communication should be directed, and/or a communications number.

Description :

	Segment Tag	M	an..3
3139	CONTACT FUNCTION CODE	M	an2
C056	DEPT OR EMPLOYEE IDENTIFICATION	C	
3412	Department or Employee	C	an..35
C076	COMMUNICATION CONTACTS	C	
3148	Communication Number	M	an..15

Segment Name Currencies CUX

Function To specify currencies used and the relevant rate of exchange.

Description

	Segment Tag	M	an..3
C180	REFERENCE CURRENCY		M
6345	Currency Code		M a3
C182	TARGET CURRENCY	M	
6345	Currency Code	M	a3
5402	RATE OF EXCHANGE	C	n..12

Segment Name Date/Time Reference DTM

Function To specify pertinent dates and times.

Description

Segment Tag	M	an..3
2005 DATE/TIME QUALIFIER	M	an..3
2001 DATE, CODED	C	n8
2002 TIME	C	n4

Segment Name Free Text FTX

Function To provide free form information

Description :

Segment Tag	M	an..3
4451 TEXT SUBJECT CODE	M	an..3
4453 TEXT FUNCTION CODE	C	an..2
C107 TEXT REFERENCE	C	
4441 Free Text, coded	M	an..3
1131 Code list identifier, coded	C	an2
C108 TEXT LITERAL	C	
4440 Free text	C	an..70
4440 Free text	C	an..70
4440 Free text	C	an..70
4440 Free text	C	an..70
4440 Free text	C	an..70

Segment Name Letter of Credit Details LCR

Function To report Letter of Credit details.

Description

	Segment Tag	M	an..3
0848	LOC REFERENCE	M	an..7
0849	LOC DATE	C	n8

Segment Name Bureau Leader Response Details LDR

Function To report bureau leader response

Description

	Segment Tag	M	an3
0870	BUSINESS CLASS IND	C	an2
0871	CLAIM CATEGORY IND	C	an1
0872	CLAIM SUBCATEGORY IND	C	an2
0873	SIMULTANEOUS REINSTATEMENT IND	C	a1
0874	SHOW ALL UNDERWRITERS IND	C	al
0875	PRECAUTIONARY IND	C	al
0895	LEAD CONTRACTUAL INDICATOR	C	al
0896	LEAD COMMENTS IND	C	al

Segment Name Insuring Market Amount Details MAM

Function To report the Insuring Market Claim Settlement Amounts.

Description

	Segment Tag	M	an3
0866	ORIGINAL CURRENCY	M	an3
0867	SETTLEMENT CURRENCY	M	a3
0897	MEMBER SHARE AMOUNT	C	n..15
1808	MEMBER CASH/LOC INDICATOR	C	a1

Segment Name Insuring Market Details MKT

Function To describe the Insuring Market.

Description

	Segment Tag	M	an..3
0850	COMPANY/SYNDIACTE IDENTIFICATION	M	an..9
0854	COMPANY/SYNDICATE SIGNED LINE %	M	n..10
C805	COMPANY/SYNDICATE REFERENCES	M	
0878	Company/Syndicate Reference	M	an..15
0879	Company/Syndicate Secondary Reference	C	an..15
0851	COMPANY/SYNDICATE POSITION NUMBER C		n..3
0852	COMPANY/SYND CONFLICT IND	C	al
0853	COMPANY/SYND NON PARTICIPANT IND	C	al
0898	COMPANY/SYNDICATE CASH/LOC IND	C	al
0899	COMPANY/SYNDICATE CASH AMOUNT	C	n..15
1801	COMPANY/SYNDICATE LOC AMOUNT	C	n..15

Segment Name Name and Address NAD

Function To specify the name and address and their related function.

Description

	Segment Tag	M	an..3
3035	PARTY QUALIFIER	M	an..3
C082	PARTY IDENTIFICATION	C	
3039	Party Identification, coded	M	an..17
C080	PARTY NAME	C	
3036	Party Name	M	an..35

Segment Name Insuring Market Response Details RES

Function To report the Insuring Market Responses.

Description

	Segment Tag		
		M	an..3
0862	COMPANY/SYND RESPONSE CODE	M	a3
0855	COMPANY/SYND RESPONSE TYPE	C	a1
0856	NFR INDICATOR	C	a1
0857	IMMED PARTIAL COLLECTION IND	C	a1
C806	REQUEST TO BROKER	C	
0858	Request to broker line	C	an..50
0858	Request to broker line	C	an..50
0859	USER RESPONSE ID	C	an..8
0860	MEMBER CONTACT	C	an..15
0861	MEMBER CONTACT TELEPHONE NO	C	an..15

Segment Name Reference RFF

Function To specify identifying numbers associated with the named party or transaction.

Description

	Segment Tag		
		M	an..3
1153	REFERENCE QUALIFIER	M	an..3
C274	REFERENCE	M	
1154	Reference Number	M	an..35

Segment Name Signing Details for Claim SDC

Function To report Signing Details.

Description

	Segment Tag	M	an..3
0864	ORIGINAL BUREAU REFERENCE	C	an..15
0866	ORIGINAL CURRENCY	M	a3
0867	SETTLEMENT CURRENCY	C	a3
0869	SIGNING CLAIM CASH AMOUNT	C	n..15
1805	SIGNING CLAIM LOC AMOUNT	C	n..15
0863	BUREAU TRANSACTION REFERENCE C		an..15
0868	ACCOUNTING TYPE	C	a1

Segment Name Interchange Header UNB

Function To start, identify and specify an interchange

Description

S001	SYNTAX IDENTIFIER	M	
0001	Syntax rules identifier	M	a4
0002	Syntax version number	M	n1
S002	INTERCHANGE SENDER	M	
0004	Sender identification	M	an..35
0007	Senders identification qualifier	C	an..4
0008	Address for Reverse Routing	C	an..14
S003	INTERCHANGE RECIPIENT	M	
0010	Recipient Identification	M	an..35
0007	Recipient Identification qualifier	C	an..4
0014	Routing Address	C	an..14

S004	DATE/TIME OF PREPARATION	M	
0017	Date	M	n6
0019	Time	M	n4
0020	INTERCHANGE CONTROL REF	M	an..14
S005	RECIPIENTS REFERENCE PASSWORD C		
0022	Recipients reference/password	M	an..14
0025	Recipients reference/password qualifier	C	an2
0026	APPLICATION REFERENCE	C	an..14
0029	PROCESSING PRIORITY CODE	C	a1
0031	ACKNOWLEDGEMENT REQUEST	C	n1
0032	COMMUNICATIONS AGREEMENT ID	C	an..35
0035	TEST INDICATOR	C	n1

Segment Name Message Header UNH

Function To head, identify and specify a message.

Description

0062	MESSAGE REFERENCE NUMBER	M	an..14
S009	MESSAGE IDENTIFIER	M	
0065	Message type	M	an6
0052	Message version number	M	n..3
0054	Message release number	M	n..3
0051	Controlling agency	C	an..2

0057	Association assigned code	C	an..6
0068	COMMON ACCESS REFERENCE	C	an..35
S010	STATUS OF TRANSFER	C	
0070	Sequence of the transfers	M	n..2
0073	First and last transfer	C	a1

Segment Name Message Trailer UNT

Function To end and check the completeness of the message.

Description

0074	NUMBER OF SEGMENTS IN THE MESSAGE	M	n..6
0062	MESSAGE REFERENCE NUMBER	M	an..14

5 MESSAGE COMPLETION INSTRUCTIONS

The following pages give the segment and data element completion instructions for the London Insurance Market Claim Message.

The Completion Instructions give details of data fields in the order they are transmitted within a message, and so there is a separate section for each segment as it appears within the message diagram previously given within the Technical Specification.

Completion instructions are only provided for those segments and elements which are used by LIRMA and which apply to transmissions from the LIRMA to its members.

The format of each field is given using standard COBOL notation, and shows the size of the field as actually supplied by the ILU. In some instances this may be less than the size shown in section 3.3 for the segment.

5.1 CHD - CLAIM DETAILS HEADER

General

This segment provides general details about the Claim message being transmitted. It identifies the type of message, the intended function of this message, gives the unique market reference details and provides for various general indicators relating to the message.

This is a mandatory segment.

Field - UNIQUE CLAIM REFERENCE

TCG Reference:- None Format:- X(17)

Usage:- Mandatory

5.2 Description:- Unique Reference that identifies the claim.

Values:- This follows the definition provided by the TCG.

Field - TRANSACTION REFERENCE

TCG Reference:- None Format :- X(17)

Usage:- Mandatory

Description:- A Reference which when taken in conjunction with the UCR uniquely identifies the claim movement associated with the message.

Values:- This follows the definition provided by the TCG.

Field - TRANSACTION TYPE

TCG Reference:- None Format:- X(3)

Usage:- Mandatory

Description:- Indicates the type of message.

Values:-
001 (First Advice)
002 (Subsequent Advice)
003 (First Advice and Settlement)
004 (Subsequent Advice including Settlement)

Note:- 'First Advice' should be taken to mean the first advice for LIRMA on the CLASS system, even if it was previously advised manually, providing this is the first time it has been advised electronically (in this case, the 'LOSS PREV ADVISED NON NETWORK' indicator should be set to clarify the situation).

Field - TRANSACTION TYPE QUALIFIER

TCG Reference:- None Format:- X(3)

Usage:- Mandatory

Description:- Qualifying indicator to show if claim movement is being sent for the first time, or is a replacement or cancellation of a previously sent claim movement.

Values:- 001 (New Entry)

002 (Replacement of previously sent entry)

003 (Cancellation of previously sent entry)

Field - TRANSACTION SUBTYPE

TCG Reference:- None Format:- X(3)

Usage:- Conditional

Description:- Used to provide additional information regarding the origin of the transaction.

- Values:-
- 001 (Advice of member responses)
 - 002 (Advice of Bureau Lead Comments)
 - 003 (Advice of Simultaneous reinstatement amendment)
 - 004 (Cancellation by Lead after circulation)
 - 005 (Advice of signing details)
 - 006 (Advice of online entry or update of a claim transaction by broker)
 - 012 (Bureau member claim ref amendment)
 - 013 (Broker amend via chase up system)

Field - TRANSACTION VALIDATION RESPONSE

TCG Reference:- None Format:- X(3)

Usage:- Conditional

Descriptions:- Indicates business validation reflected back to sender.

- Values:-
- 003 (Accepted by Bureau lead insurer/s)
 - 004 (Rejected by Bureau lead insurer/s)
 - 005 (Automatically circulated by Bureau)

Field - TYPE OF CLAIM

TCG Reference:- None Format:- X(3)

Usage:- Conditional

Description:- Indicates the type of the claim where this has unusual processing requirements.

- Values:-
- 001 (Bulk Advice/Settlement)
 - 002 (Excess of Loss Aggregate)
 - 003 (Cover Collection claim)
 - 006 (Rate of Exchange Adjustment)
 - 007 (Contra Entry)
 - 008 (Claim Objection)

05/05/93: LIRMA does not currently support TYPE OF CLAIM VALUES 006 - 008.

Field - Partial Collection Indicator

TCG Reference:- None Format:- X

Usage:- Conditional

Description:- Indicates that this claim transaction requires a Partial Collection from the market.

Values:- Y - Partial Collection required.

Field - UNIQUE MARKET REFERENCE

TCG Reference:- 1.19 Format:- X(17)

Usage:- Conditional

Description:- Unique Reference that identifies the risk to which the claim relates.

Values:- This follows the definition provided by the TCG.

Field - ATTACHMENT INDICATOR

TCG Reference:- 5.32 Format:- X

Usage:- Conditional

Description:- Indicates that additional information relating to the message has been sent to the message receiver via alternative means (i.e. paper).

Values:- Y (yes)

Field - LOSS PREV ADV NON NETWORK

TCG Reference:- None Format:- X

Usage:- Conditional

Description:- Indicates that the claim was previously advised to the insuring market by manual means prior to its advice via CLAMS

Values:- Y (yes)

Field - CEDANT IN LIQUIDATION

TCG Reference:- None Format:- X

Usage:- Conditional

Description:- Indicates if cedant is in liquidation.

Values:- Y (yes)

Field - ASSOCIATED CLAIM REFERENCE

TCG Reference:- None Format:- X(17)

Usage:- Conditional

Description:- The Unique Claim Reference of another claim to which the advice is related.

Field - ASSOCIATED TRANSACTION REFERENCE

TCG Reference:- None Format:- X(17)

Usage:- Conditional

Description:- The Unique Transaction Reference of another claim movement to which this advice is related.

Field - CONFIDENTIALITY INDICATOR

TCG Reference:- None Format:- X

Usage:- Not Used

Description:- Used by Salvage association to indicate that the advice is confidential and has not been passed onto Brokers.

Values:- Y (yes)

Field - CLAIM SEQUENCE NUMBER

TCG Reference:- None Format:- X(3)

Usage:- Conditional

Description:- Running sequence number allocated to each claim movement by the broker.

Values:- 1st claim transaction must contain 1, and for each subsequent transaction must be incremented by 1

5.3 NAD - NAME AND ADDRESS

General

TCG Reference:- None Format:- X(17)

Usage:- Not used

BUREAU LEAD INSURER (Qualifier LD):

TCG Reference:- 1.2 Format:- X(17)

Usage:- Conditional

Description:- Unique code to identify the LIRMA lead insurer.

Values:- ELASS:- 5 character alphanumeric code.

(If no company remains in central settlement 'NONE' will be sent)

Field - PARTY NAME

Completion instructions have been specified separately for each different value or Party Qualifier.

Broker (Qualifier=BK)

TCG Ref:- None Format:- X(35)

Usage:- Not Used

Description:- Not used for Broker within standard claims message

ADJUSTER (Qualifier = AD):

TCG Reference:- 4.60 Format:- X(35)

Usage:- Conditional

Description:- Name of adjuster.

Values:- 20 character alphanumeric field.

SURVEYOR (Qualifier = SU):

TCG Reference:- 4.64 Format:- X(35)

Usage:- Not used

Description:- Name of Surveyor

Values:- 20 character alphanumeric field.

LAWYER (Qualifier = LA):

TCG Reference:- 4.62 Format:- X(35)

Usage:- Conditional

Description:- Name of lawyer/attorney.

Values:- 20 character alphanumeric field.

BUREAU LEAD INSURER (Qualifier = LD):

TCG Reference:- None Format:- X(35)

Usage:- Not used

Description:- Not used for the bureau lead insurer within the standard claims message.

Values:- 20 character alphanumeric field.

SLIP LEAD (Qualifier = SL):

TCG Reference:- 2.4 Format:- X(35)

Usage:- Mandatory

Description:- Free format identification of the slip lead insurer.

Values:- 20 character alphanumeric field.

SETTLING AGENT (Qualifier = AG):

TCG Reference:- 4.56 Format:- X(35)

Usage:- Not used

Description:- Name of overseas settling agent.

Note:- This will only be completed for CPA claims.

Values:- 35 character alphanumeric field.

5.4 CTA - CONTACTS

This segment allows details of the contact name and telephone number relating to the party specified within the above NAD segment.

FIELD - CONTACT FUNCTION CODE

TCG Reference:- None Format:- X(2)

Usage:- Mandatory

Description:- Function code to describe the type of contact.

Values:- BK (Broker)

Field:- DEPARTMENT OR EMPLOYEE, CODED

TCG Reference:- None Format:- X(17)

Usage:- Not used

Description:- Identity of the Broker contact in the broker's office.

Values:- 8 character free format alphanumeric field.

Field:- DEPARTMENT OR EMPLOYEE

TCG Reference:- None Format:- X(35)

Usage:- Conditional

Description:- Name of the information contact in the broker's office.

Values:- 15 character alphanumeric field.

Field - COMMUNICATION NUMBER

TCG Reference:- None Format:- X(25)

Usage:- Conditional

Description:- Telephone number of the contact.

Values:- 15 character alphanumeric field.

5.5 RFF - References

General

This segment allows references relating to the party specified within the above NAD segment.

Field - REFERENCE NUMBER QUALIFIER

TCG Reference:- None Format:- X(3)

Usage:- Mandatory

Description:- Describes party to whom references apply.

Values:- BK1 (Broker ref 1)
BK2 (Broker ref 2)
LA (Lawyer)
AD (Adjuster)
SU (Surveyor)
AG (Settling agent)

Field - REFERENCE NUMBER

Completion instructions have been specified separately for each different value of Party Qualifier.

BROKER REFERENCE 1 (Qualifier = BK1):

Usage:- Mandatory

TCG Reference:- 1.8 Format :- X(35)

Description:- The broker's primary reference for the claim.

Values:- 12 alphanumeric characters

BROKER REFERENCE 2 (Qualifier = BK2):

Usage:- Mandatory

TCG Reference:- 1.9 Format:- X(35)

Description:- The broker's secondary reference for the claim.

Values:- 12 alphanumeric characters

LAWYER (Qualifier = LA)

Usage:- Mandatory

TCG reference:- 4.63 Format:- X(35)

Description:- Lawyer reference

Value:- 15 alphanumeric characters

ADJUSTER (Qualifier = AD)

Usage:- Mandatory

TCG Reference 4.61 Format:- X(35)

Description:- Adjuster reference

Value:- 15 alphanumeric characters

SURVEYOR (Qualifier = SU)

Usage:- Not used

TCG Reference 4.65 Format:- X(35)

Description:- Adjuster reference

Value:- 15 alphanumeric characters

SETTLING AGENT (Qualifier = AG):

Usage:- Not used

TCG References:- 4.55 Format:- X(35)

Description:- CPA certificate number

Note:- If more than one CPA certificate number needs to be given, this will be done by repeating the RFF segment for qualifier 'AG' within the NAD segment group. Up to 4 CPA certificate numbers may be returned for entries by the CPA department.

5.6 CRD - CLAIM RISK DETAILS

This segment provides information about the risk to which the claim attaches. It is the first segment in a group that also contains a repeating AMT segment. The AMT is used to supply risk related amounts (limit, Excess, etc).

Field - INSURED

TCG Reference:- 4.1 Format:- X(50)

Usage:- Conditional

Description:- Name of the insured party or coverholder.

Values:- 50 character alphanumeric field.

Field - REINSURED/RETROCEDANT

TCG Reference:- 4.2 Format:- X(50)

Usage:- Conditional

Description:- Name of the Reinsured company.

Values:- 50 character alphanumeric field.

Field - ORIGINAL INSURED

TCG Reference:- None Format:- X(50)

Usage:- Conditional

Description:- Name of original insured. This is where the claim occurs on a reinsurance risk, and this field is the name of the party originally insured.

Values:- 50 character alphanumeric field.

Field - INTEREST

TCG Reference:- 4.11 Format:- X(70)

Usage:- Conditional

Description:- Free format description of the interest.

Values:- 70 character alphanumeric field.

(currently 50 character alphanumeric field for LIRMA)

Field - PERILS/CONDITIONS

TCG Reference:- 4.16 Format:- X(70)

Usage:- Conditional

Description:- Free format description of the perils/conditions.

Values:- 70 character alphanumeric field.

(currently 50 character alphanumeric field for LIRMA)

Field - LOCATION/VOYAGE

TCG Reference:- 4.8 Format:- X(70)

Usage:- Conditional

Description:- Description of the situation of insured interest, or the journey over which the interest is insured.

Values:- 70 character alphanumeric field.

Field - SLIP ORDER NON STANDARD

TCG Reference:- 3.12 Format:- X

Usage:- Conditional

Description:- Indicates that further order details are shown within the Sum Insured narrative FTX segment (Subject code 008).

Values:- Y (Yes)

N (No)

Field - SLIP ORDER 1

TCG Reference:- 3.10 Format:- X(10)

Usage:- Conditional

Description:- First percentage order for the policy.

Values:- 10 character numeric with 7 decimal places

Field - SLIP ORDER 2

TCG Reference:- 3.11 Format:- X(10)

Usage:- Conditional

Description:- Second percentage order for the policy.

Values:- 10 character numeric with 7 decimal places

Note:- Where both orders are present, applying one to the other should give the 'net' order

Field - RI XL AGG BASIS

TCG Reference:- None Format:- X

Usage:- Conditional

Description:- Basis of Excess of Loss Aggregate claim.

Values:- L (Date of Loss Basis)
S (Date of Settlement basis)
A (Apportionment basis)

Field - BROKER POLICY REFERENCE 1

TCG Reference:- 1.8 Format:- X(12)

Usage:- Conditional

Description:- Broker's Risk internal reference (1)

Values:- 12 character alphanumeric field.

Field - BROKER POLICY REFERENCE 2

TCG Reference:- 1.9 Format:- X(12)

Usage:- Conditional

Description:- Broker's Risk internal reference (2)

Values:- 12 character alphanumeric field.

5.7 AMT - AMOUNT DETAILS

interest within the risk to which the claim relates.

Values:- 15 character numeric with 2 decimal places ORIGINAL SUM INSURED (Type = 42)

TCG Reference:- None Format:- -9(13).99

Description:

This segment will be used for all risk amounts relating to the claim message. The 'AMOUNT TYPE' will identify the amount.

Field - AMOUNT FOR ITEM

Completion instructions for this field have been defined separately for each of the different AMOUNT TYPE values.

SUM INSURED 100PC (Type = 16)

TCG Reference:- 3.1 Format:- -9(13).99

Usage:- Conditional

Description:- The sum insured for the risk to which the claim relates.

Values:- 15 character numeric with 2 decimal places

EXCESS AMOUNT 100PC (Type = 17)

TCG Reference:- 3.6 Format:- -9(13).99

Usage:- Conditional

Description:- The excess/deductible for the risk to which the claim relates.

Values:- 15 character numeric with 2 decimal places

VALUE OF INTEREST (Type = 18)

TCG Reference:- 4.12 Format:- -9(13).99

Usage:- Not used

Description:- The value of

Usage:- Conditional

Description:- The original sum insured or the maximum liability to which Insurers are exposed at inception. This should only be completed when it is different from the sum insured 100pc.

Values:- 15 character numeric with 2 decimal places

ORIGINAL EXCESS AMOUNT (Type = 43)

TCG Reference:- None Format:- -9(13).99

Usage:- Conditional

Description:- The original sum insured or the maximum liability to which Insures are exposed at inception. This should only be completed when it is different from the sum insured 100pc.

Values:- 15 character numeric with 2 decimal places

Field - AMOUNT CURRENCY

TCG Reference:- None Format:- X(3)

Usage:- Mandatory

Description:- Specifies the currency of the amount.

Values:- Must be a valid ISO currency

Field - AMOUNT QUALIFIER

TCG Reference:- None Format:- X(3)

Usage:- Conditional

Description:- Allows for a further coded description of the amount contained within this segment.

Values:- N (Valid for all entry codes. Amount = Nil)

D (Valid for entry type 16. There are additional free format amount details present in Sum Insured Narrative FTX segment - code 8)

5.8 CLM - CLAIM DETAILS

General

This segment gives data relating to the claim.

Field - LOSS LOCATION

TCG Reference:- 4.53 Format:- X(50)

Usage:- Mandatory

Description:- Free format details of loss location.

Values:- 50 character free format alphanumeric field.

Values:- 4 character alphanumeric field.

Field - TOTAL LOSS INDICATOR

TCG Reference:- None Format:- X

Usage:- Not used

Description:- Indicates that the claim is a total loss for the risk.

Field - WAR INDICATOR

TCG Reference:- None Format:- X Usage:- Not used

Description:- Indicates that the claim is a War loss.

Field - CLAIMANT

TCG Reference:- 4.59 Format:- X(50)

Usage:- Conditional

Description:- Name of the claimant

Values:- 50 character free format field.

Field - CLAIM TYPE CODE

TCG Reference:- 4.57 Format:- X(3)

Usage:- Not used

Description:- A code describing the type of claim. E.g. Excess of Loss, Hull, Cargo, General Average, etc.

Field - YEAR OF ACCOUNT

TCG Reference:- 5.17 Format:- 9(4)

Usage:- Not used

Description:- Accounting year to which the claim will be attributed.

Field - ORIGINAL POLICY CLAIM REFERENCE

TCG Reference:- None Format:- X(17)

Usage:- Conditional

Description:- The claim reference allocated to the claim by the original insured.

5.9 DTM - DATE/TIME REFERENCE

General

This segment gives details of dates relevant to the claim message. The Date/Time Qualifier defines the date to which the segment relates.

Field - DATE./TIME QUALIFIER

TCG Reference:- None Format:- X(3)

Usage:- Mandatory

Description:- A qualifier which identifies the date to which the segment relates.

Values:-	001	DATE OF LOSS FROM
	002	DATE OF LOSS TBA
	003	DATE OF LOSS VARIOUS
	004	DATE OF LOSS NOT ADVISED
	005	DATE OF LOSS SEE NARRATIVE
	006	DATE OF LOSS TO
	007	DATE ADVISED TO BROKER

008 DATE CLAIM MADE FROM
 009 DATE CLAIM MADE TO
 010 DATE ADVISED SLIP LEAD
 011 DATE OF DISCOVERY
 012 DATE OF MANIFESTATION
 013 DATE OF PERIODIC DECLARATION
 014 DATE OF EXPOSURE PERIOD
 015 PERIOD OF POLICY FROM
 016 PERIOD OF POLICY TO
 017 PERIOD OF POLICY NON STANDARD
 021 PERIOD OF PREMIUM FROM
 022 PERIOD OF PREMIUM TO
 023 PERIOD OF PREMIUM NON STANDARD
 024 ORIGINAL POLICY PERIOD FROM
 025 ORIGINAL POLICY PERIOD TO
 032 XL AGGREGATE PREPARATION DATE

Field - DATE CODED

Completion instructions for the field DATE have been defined separately for each of the valid DATE/TIME QUALIFIER values:-

Usage:- Conditional

DATE OF LOSS FROM (Qualifier = 001)

TCG Reference: 4.47 Format:- 9(8)

Usage:- Mandatory

Description:- Date of loss for the claim.

For losses extending over a period of days, this date is the first date of that period.

Values:- Date format is YYYYMMDD.

MM and DD may be expressed as 00 if month or day of the loss is unknown

DATE OF LOSS TBA (Qualifier = 002)

TCG Reference:- None Format:- 9(8)

Description:- The date of loss is to be advised.

Values:- The DATE field will be blank in this instance.

DATE OF LOSS VARIOUS (Qualifier = 003)

TCG Reference:- None Format:- 9(8)

Description:- The claim relates to various dates of loss.

Values:- The DATE field will be blank in this instance.

DATE OF LOSS NOT ADVISED (Qualifier = 004)

TCG Reference:- None Format:- 9(8)

Description:- The date of loss is not known.

Values:- The DATE field will be blank in this instance.

DATE OF LOSS SEE NARRATIVE (Qualifier = 005)

TCG Reference:- None Format:- 9(8)

Description:- The date of loss cannot be expressed in a coded format

Values:- The DATE field will be blank in this instance. Free-format date of loss details can be found in a FTX segment with a Text Subject code of '001'.

DATE OF LOSS TO (Qualifier = 006)

TCG Reference:- 4.48 Format:- 9(8)

Description:- For losses which extend over a period of days, this is the last day of that period.

Values:- Date format is YYYYMMDD.

DATE ADVISED TO BROKER (Qualifier = 007)

TCG Reference:- None Format:- 9(8)

Description:- The date that the claim movement was first advised to the Broker.

Values:- Date format is YYYYMMDD.

DATE CLAIM MADE FROM (Qualifier = 008)

TCG Reference:- None Format:- 9(8)

Description:- The date on which a claim was made, or the first date if a notification covers claims made over a period.

Values:- Date format is YYYYMMDD.

DATE CLAIM MADE TO (Qualifier = 009)

TCG Reference:- None Format:- 9(8)

Description:- The last date on which a claim was made when a notification covers claims made over a period.

Values:- Date format is YYYYMMDD.

DATE ADVISED SLIP LEAD (Qualifier = 010)

TCG Reference:- None Format:- 9(8)

Description:- The date the claim was advised to the slip lead where they are different from the Bureau lead.

Values:- Date format is YYYYMMDD.

DATE OF DISCOVERY (Qualifier = 011)

TCG Reference:- None Format:- 9(8)

Description:- The date that the loss was discovered. Used as an alternative to the date of loss

Values:- Date format is YYYYMMDD

DATE OF MANIFESTATION (Qualifier = 012)

TCG Reference:- None Format:- 9(8)

Description:- The date that the loss manifested itself. Used as an alternative to the date of loss.

Values:- Date format is YYYYMMDD.

DATE OF PERIODIC DECLARATION (Qualifier = 013)

TCG Reference:- None Format:- 9(8)

Description:- The date of the periodic declaration in which the loss falls. Used as an alternative to date of loss.

Values:- Date format is YYYYMMDD.

DATE OF EXPOSURE PERIOD (Qualifier = 014)

TCG Reference:- None Format:- 9(8)

Description:- The date of the exposure period into which the loss falls. Used as an alternative to the date of loss.

Values:- Date format is YYYYMMDD.

PERIOD OF POLICY FROM (Qualifier = 015)

TCG Reference:- 4.4 Format:- 9(8)

Description:- Date of inception of the policy. For re-signed long term risks it represents the start of the un-expired period of cover.

Values:- Date format is YYYYMMDD.

PERIOD OF POLICY TO (Qualifier = 016)

TCG Reference:- 4.5 Format:- 9(8)

Description:- Date of expiry of the policy.

Values:- Date format is YYYYMMDD.

PERIOD OF POLICY NON STANDARD (Qualifier = 017)

TCG Reference:- None:- Format:- 9(8)

Description:- The period of policy cannot be expressed in a coded format.

Values:- The date will be blank in this instance.

Free format period of policy details can be found in an FTX segment with a Text Subject Code of '003'.

PERIOD OF PREMIUM FROM (Qualifier = 021)

TCG Reference:- 5.18 Format:- 9(8)

Description:- The first date of the premium to which the premium being signed applies.

Values:- Date format is YYYYMMDD.

PERIOD OF PREMIUM TO (Qualifier = 022)

TCG Reference:- 5.19 Format:- 9(8)

Description:- The last date of the premium to which the premium being signed applies.

Values:- Date format is YYYYMMDD.

PERIOD OF PREMIUM NON STANDARD (Qualifier = 023)

TCG Reference:- 5.20 Format:- 9(8)

Description:- Where a period of premium cannot be expressed as a standard date, a DTM segment with a qualifier = 023 will be sent to indicate this. Narrative details can be found within the FTX segment (subject code 004)

Values:- The DATE field will be blank in this instance.

ORIGINAL POLICY PERIOD FROM (Qualifier = 024)

TCG Reference:- None Format:- 9(8)

Description:- Where the claim is on a Reinsurance risk, this is the inception date of the original policy.

Values:- Date format is YYYYMMDD.

ORIGINAL POLICY PERIOD TO (Qualifier = 025)

TCG Reference:- None Format:- 9(8)

Description:- Where the claim is on a Reinsurance risk, this is the expiry date of the original policy.

Values:- Date format is YYYYMMDD.

XL AGGREGATE PREPARATION DATE (Qualifier = 032)

TCG Reference:- None Format:- 9(8)

Description:- The date that the cedant prepared the excess of loss aggregate recovery for presentation to Reinsurers via the Broker.

Values:- Date format is YYYYMMDD.

5.10 CUX - CURRENCIES

General:

This segment specifies the Reference Currency (Original claim currency) and the Target currency (Settlement claim currency) of the amounts contained within the segment group below it. The whole grouping will repeat for each different Reference currency /target currency combination.

A CUX segment grouping for a specific Reference currency/target currency combination can only be sent once within a message. All amounts relating to that currency combination must then be contained within repeating occurrences of the AMT segment within the group.

A maximum of three occurrences of the CUX segment grouping may be sent within a message (i.e. only three ref currency/target currency combinations).

Field - CURRENCY CODE (REFERENCE)

TCG Reference:- 5.4 Format:- X(3)

Usage:- Mandatory

Description:- ISO Currency code for original currency.

Field - CURRENCY QUALIFIER (REFERENCE)

TCG Reference:- None Format:- X(3)

Usage:- Not used

Description:- Not used in the standard claims message.

Field - CURRENCY CODE (TARGET)

TCG Reference:- 5.6 Format:- X(3)

Usage:- Conditional

Description:- ISO Currency code for settlement currency. Note where only the original currency exists this should be entered with the same code.

Field - CURRENCY QUALIFIER (TARGET)

TCG Reference:- 5.4 Format:- X(3)

Usage:- Not used

Description:- Not used in the standard claims message.

Field - RATE OF EXCHANGE

TCG Reference:- None Format:- 9(7).9(5)

Usage:- Conditional

Description:- The rate of exchange used to convert target currency to reference currency by division.

Note:- Where the reference currency and the target currency are the same, this is not sent. Where the reference currency and the target currency are different, then this field cannot be blank.

5.11 CSC - CLAIM STATISTICAL CODES

General

This segment is not currently used.

It allows for accounting and statistical details that may vary by claim. It also allows for complex slip signings where separate premium accounting entries and statistical codes have been required for the same risk and the same market.

5.12 AMT - AMOUNT DETAILS

Description

This segment will be used for all claim amounts relating to the claim message. The

'AMOUNT TYPE' will identify the amount.

For all claim amounts, the 'sign' for the amount is positive if it is due to the Broker, and negative if it is due to the Underwriters.

Field - AMOUNT TYPE

TCG Reference:- None Format:- X(3)

Usage:- Mandatory

Description:- This code identifies the amount within the segment.

Values:-

001	-	OUTSTANDING AMOUNT
002	-	PREV SETTLED AMOUNT
003	-	CURRENT ESTIMATE
004	-	CURRENT ESTIMATE FGU
005	-	LEAD CURRENT ESTIMATE
006	-	FEES O/S AMOUNT
008	-	PAID CLAIM AMOUNT
009	-	RESERVE RETAINED
010	-	RESERVE RELEASED
011	-	INTEREST
012	-	TAX EXCLUDING VAT
013	-	VAT
014	-	CLAIM AMOUNT 100PC
015	-	CLAIM AMOUNT FEES 100PC

Field - AMOUNT FOR ITEM

Usage:- Conditional

OUTSTANDING AMOUNT (Type = 001)

TCG Reference:- 5.44 Format:- -9(13).99

Description:- The current Outstanding amount for the claim as advised to the Broker including any outstanding fees amounts, expressed as a 100% figure in reference currency.

Values:- Signed 15 character numeric with 2 decimal places

PREV SETTLED AMOUNT (Type = 002)

TCG Reference:- 5.42 Format:- -9(13).99

Description:- The amount previously settled for the claim, expressed as a 100% figure in reference currency.

Values:- Signed 15 character numeric with 2 decimal places

CURRENT ESTIMATE (Type = 003)

TCG Reference:- None Format:- -9(13).99

Description:- The Current estimate for the claim (i.e. the expected final total amount that will be paid for the claim on this policy), expressed as a 100% figure rather than bureau share.

Values:- Signed 15 character numeric with 2 decimal places

CURRENT ESTIMATE FGU (type = 004)

TCG Reference:- None Format:- -9(13).99

Description:- The Current estimate for the claim from the ground up (i.e. the expected final total amount that will be paid for the claim overall). Expressed as a 100% figure rather than bureau share.

Values:- Signed 15 character numeric with 2 decimal places

LEAD CURRENT ESTIMATE (Type = 005)

TCG Reference:- None Format:- -9(13).99

Description:- The Current estimate for the claim as judged by the bureau lead insurer (i.e. the expected final total amount that will be paid for the claim on this policy, as judged by the bureau lead insurer). A segment with this qualifier is returned to the Broker with the rest of the Lead Response details (i.e. when Message subtype = 01). Expressed as a 100% figure rather than bureau share.

Values:- Signed 15 character numeric with 2 decimal places

FEES O/S AMOUNT (Type = 006)

TCG Reference:- None Format:- -9(13).99

Description:- The part of the Outstanding amount for the claim that relates to Fees, expressed as a 100% figure rather than a bureau share.

Values:- Signed 15 character numeric with 2 decimal places.

PAID CLAIM AMOUNT (Type = 008)

TCG Reference:- None Format:- -9(13).99

Description:- The part of the settled amount (CLAIM AMOUNT 100PC) for the claim transaction that relates to the actual amount paid on the claim itself (as opposed to tax etc settled amounts). Expressed as a 100% figure rather than a bureau share.

Values:- Signed 15 character numeric with 2 decimal places.

RESERVE RETAINED (Type = 009)

TCG Reference:- None Format:- -9(13).99

Description:- The part of the settled amount (CLAIM AMOUNT 100PC) for the claim transaction that relates to the reserve retained by a reinsured. Expressed as a 100% figure rather than a bureau share.

Values:- Signed 15 character numeric with 2 decimal places.

RESERVE RELEASED (Type = 010)

TCG Reference:- None Format:- -9(13).99

Description:- The part of the settled amount (CLAIM AMOUNT 100PC) for the claim transaction that relates to the reserve released by a reinsured. Expressed as a 100% figure rather than a bureau share.

Values:- Signed 15 character numeric with 2 decimal places

INTEREST (Type = 011)

TCG Reference:- None Format:- -9(13).99

Description:- The part of the settled amount (CLAIM AMOUNT 100PC) for the claim transaction that relates to interest on the reserve retained by a reinsured. Expressed as a 100% figure rather than a bureau share.

Values:- Signed 15 character numeric with 2 decimal places

TAX EXCLUDING VAT (TYPE = 012)

TCG Reference:- None Format:- -9(13).99

Description:- The part of the settled amount (CLAIM AMOUNT 100PC) for the claim transaction that relates to tax (other than VAT). Expressed as a 100% figure in target currency.

Values:- Signed 15 character numeric with 2 decimal places

VAT (Type = 013)

TCG Reference:- 5.37 Format:- -9(13).99

Description:- The part of the settled amount (CLAIM AMOUNT 100PC) for the claim transaction that relates to VAT, expressed as a 100% figure, in target currency.

Values:- Signed 15 character numeric with 2 decimal places

CLAIM AMOUNT 100PC (Type = 014)

TCG Reference:- 5.36 Format:- -9(13).99

Description:- The settled amount for the claim transaction, expressed as a 100% figure rather than bureau share.

Values:- Signed 15 character numeric with 2 decimal places

CLAIM AMOUNT FEES 100PC (Type = 015)

TCG Reference:- None Format:- -9(13).99

Description:- The part of the settled amount (CLAIM AMOUNT 100PC) for the claim transaction that relates to Fees, expressed as a 100% figure rather than bureau share.

Values:- Signed 15 character numeric with 2 decimal places

Field - AMOUNT CURRENCY

TCG Reference:- None Format:- X(3)

Usage:- Mandatory

Description:- Specifies the currency of the amount.

Note:- This currency must be the same as either the Reference or the target currency within the CUX segment above.

Field - AMOUNT QUALIFIER

TCG Reference:- None Format:- X(3)

Usage:- Conditional

Description:- Allows for a further coded description of the amount contained within this segment.

Values:- T Amount is to be advised. Corresponding amount must be zero if this qualifier value is used.
Valid for Amount Type 001 and 006.

- N Amount is nil. Corresponding amount must be zero if this qualifier value is used.
Valid for Amount Type 001
- D Additional free format amount details are present in the Loss Details' FTX segment (Text Subject Code = 009)
It is not necessary for the corresponding amount to be zero if this qualifier value is used.
Valid for Amount Type 001
- F Fees are expected. It is not necessary for the corresponding amount to be zero if this qualifier is used.
Valid for Amount Type 001
- P Advice is Precautionary. Corresponding amount must be zero if this qualifier value is used.
Valid for Amount Type 001
- C Claim is 'closed'. All outstanding amounts in different currencies for the claim must be set to zero if this qualifier is used.
Valid for Amount Type 001
- R A recovery is expected. It is not necessary for the corresponding amount to be zero if this qualifier is used.

Usage:- Mandatory

DATE OF LOSS NARRATIVE (Code 001)

TCG Reference:- None Format:- X(70) repeating

Description:- Description of the Date of Loss details, where that cannot be given in codified date form or where there is detail available in addition to the codified dates.

Note:- This must be sent if a DTM segment with qualifier of 05 is present in the message.

Value:- 30 character free format field

AMENDMENT NARRATIVE (Code 002)

TCG Reference:- None Format:- X(70) repeating

Description:- Description of the 'business' reason for the sending of this claims message (e.g. 'on Account settlement').

Value:- 50 character free format field

PERIOD OF POLICY NARRATIVE (Code 003)

TCG Reference:- 4.7 Format:- X(70) repeating

Description:- Description of the policy period, either instead of or supplementary to the codified policy period date fields.

Note:- This must be sent if a DTM segment with qualifier of 017 is present in the message.

Value:- 40 character free format field

PERIOD OF PREMIUM NARRATIVE (Code 004)

TCG Reference:- 5.21 Format:- X(70) repeating

Description:- Description of the premium period, either instead of or supplementary to the codified policy period date fields.

Value:- 40 character free format field

ORIGINAL POLICY PERIOD NARRATIVE (Code 006)

TCG Reference:- None Format:- X(70) repeating

Description:- Description of the original policy period, either instead of or supplementary to the codified cover period date fields.

Value:- 20 character free format field

CURRENT ESTIMATE FGU NARRATIVE (Code 007)

TCG Reference:- None Format:- X(70) repeating

Description:- Description of the Current Estimate FGU amount, see AMT segment, type 004,

Value:- 50 character free format field

SUM INSURED NARRATIVE (Code 008)

TCG Reference:- 3.4 Format:- X(70) repeating

Description:- Description of the Sum Insured supplementary to the amount given within the AMT segment type 016.

Note:- This must be sent if SLIP ORDER NON-STANDARD INDICATOR is set to 'Y'.

Values:- Two 50 character free format lines
(total 100 char field)

LOSS DETAILS (Code 009)

TCG Reference:- 4.37 Format:- X(70) repeating

Description:- Description of the claim.

Values:- Five 70 char free format lines (total 350 chars) (Currently ELASS can only support four lines of 70 chars & one line of 20 chars for an interim period only).

BUREAU LEAD COMMENTS (Code 010)

TCG Reference:- None Format:- X(70) repeating

Description:- Comments added by the Bureau Lead Insurer to the claim movement.

Values:- Fifteen 70 character free format lines
(total 1050 char field).

ADDITIONAL DETAILS (Code 011)

TCG Reference:- None Format:- X(70) repeating

Description:- Additional details relating to this claim movement.

Values:- Sixty 70 char free format lines
(total 4200 character field).

SLIP LEAD COMMENTS (Code 012)

TCG reference:- None Format:- X(70) repeating

Description:- Comments made by the slip lead where this is different from the Bureau lead. Sent by Broker as part of the original transmission of the claim message.

Values:- ELASS - 50 character free format field.

WARNING ERROR TEXT (Code 013)

TCG Reference:- None Format:- X(70) repeating

Description:- When the claims message is validated by the Bureau system it may report warning errors which do not result in a rejection but which need to be highlighted to underwriters.

Values:- Sixty 70 character free format lines (total 4200 character field).

AGGREGATE DETAILS (Code 015)

TCG Reference:- None Format:- X(70) repeating

Description:- Details of the items in the Aggregate Claim, as supplied by the broker.

Values:- 495 x 70 character free format lines
(total 34650 character field).

ELECTRONIC DATE RECOGNITION INDICATOR (EDR) (Code 061)

TCG Reference:- None Format:- X

Description:- To enable company leaders to record that any claim may be connected to or associated with an electronic date recognition problem.

Values:- Y (Yes)

5.15 MKT - INSURING MARKET DETAILS

General

This segment is the first one of a segment group. The group is used by the Bureaux to advise of the Insuring Market responses to the claim advice or settlement.

Field - COMPANY/SYNDICATE IDENTIFICATION

TCG Reference:- 1.2 Format:- X(9)

Usage:- Mandatory

Description:- Identification code of the insuring Company or Syndicate.

Values:- ELASS:- 5 character alphanumeric code.

Field - COMPANY/SYNDICATE SIGNED LINE %

TCG Reference:- 2.1 Format:- X(10)

Usage:- Mandatory

Description:- The insurer's percentage share of the claim (the percentage that if applied to the claim amounts within the AMT segment above, would give the insurer's share of those amounts).

Values:- 10 character numeric field with 7 decimal places.

Must not be > 100 or = zero.

Field - COMPANY/SYNDICATE REFERENCE

TCG Reference:- 1.3 Format:- X(15)

Usage:- Mandatory

Description:- The insurer's risk reference, as entered onto the insurance placing document

Participant'. A 'Non Participant' company is one who for exceptional reasons does not use ELASS claims facilities. In order to continue the Broker must obtain paper agreement to the claim transaction from this company, and forward this to LIRMA. LIRMA will then key the electronic agreement response into ELASS on behalf of the Company, so that his share of the settlement can be paid.

Values:- Y/N (Yes/No)

Field - COMPANY/SYNDICATE CASH/LOC INDICATOR

TCG Reference:- None Format:- X

Description:- Not used within this part of the message

Field - COMPANY/SYNDICATE CASH AMOUNT

TCG Reference:- None Format:- X(15)

Description:- Not used within this part of the message

Field - COMPANY/SYNDICATE LOC AMOUNT

TCG Reference:- None Format:- X(15)

Description:- Not used within this part of the message

5.16 RES - INSURING MARKET RESPONSE DETAILS

General

This segment contains details of an insurer's response to a claim. It forms the header of a segment group made up of RES, RFF, FTX, DTM and MAM segments. The segments below the RES are mainly used by ELASS to advise member companies of the claim details not originally supplied by the Broker (keyed in by the member via the ELASS interactive facilities), the exception is the MAM segment which is returned to Brokers with the 'lead circulation' message flow to inform him of the calculated amounts for each individual LIRMA member.

- P Auto response to precautionary advice
- C Auto response due to contractual condition
- S Auto response due to small claims scheme

Field - NFR INDICATOR

TCG Reference:- None Format:- X

Usage:- Conditional

Description:- Indicator set by the insurer to modify his future automatic responses on this claim. If set to Y then insurer’s automatic response on all future movements on this claim will be CAA (advices) or YES (settlements) provided the current estimate has not increased.

Values:- Y/N (Yes/No)

Field - IMMEDIATE PARTIAL COLLECTION INDICATOR

TCG Reference:- None Format:- X

Usage:- Conditional

Description:- Indicates that the Insurer has agreed to an immediate partial collection.

- Values:- Y Yes
- N No
- C Same as yes, but not dependant on the other members of the partial market agreeing to the immediate collection also.

Field - REQUEST TO BROKER

TCG Reference:- None Format:- X(50) repeating

Usage:- Conditional

Description:- Comments provided by the member which are relayed to the broker i.e. request for correspondence etc.

Field - REFERENCE NUMBER QUALIFIER

TCG Reference:- None Format:- X(3)

Usage:- Mandatory

Description:- Describes party to whom references apply.

- Values:- CS1 (Co/Synd claim reference)
- CS2 (Co/Synd secondary claim reference)
- BCR (Orig Bulk claim reference)
- BTR (Orig Bulk claim trans reference)
- BSQ (Orig Bulk Sequence Number)

Field - REFERENCE NUMBER

Completion instructions have been specified separately for each different value of Part Qualifier.

CO/SYND CLAIM REFERENCE (Qualifier = CS1)

TCG Reference:- None Format:- X(15)

Usage:- Conditional

Description:- The insurer’s claim reference, as entered onto the Class claim scheme via Interactive facilities. This is only used by Lirma to transmit this information to their members.

Values:- 15 Character free format field.

CO/SYND SECONDARY CLAIM REFERENCE (Qualifier = CS2)

TCG Reference:- None Format:- X(15)

Usage:- Conditional

Description:- The insurer’s claim reference 2, as entered onto the Class claim scheme via Interactive facilities. This is only used by Lirma to transmit this information to their members.

Values:- 15 Character free format field.

ORIG BULK CLAIM REFERENCE (Qualifier = BCR)

TCG Reference:- None Format:- X(17)

Usage:- Conditional

Description:- Sent to LIRMA members to advise the Bulk Claim reference that this claim message relates to.

Values:- Format is the same as that for the UNIQUE CLAIM REFERENCE.

ORIG BULK TRANSACTION REFERENCE (Qualifier = BTR)

TCG Reference:- None Format:- X(17)

Usage:- Conditional

Description:- Sent to LIRMA members to advise the Bulk Claim transaction reference that this claim message relates to.

Values:- Format is the same as that for the UNIQUE TRANSACTION REFERENCE.

ORIG BULK SEQUENCE REFERENCE (Qualifier = BSQ)

TCG Reference:- None Format:- X(17)

Usage:- Conditional

Description:- Sent to LIRMA members to advise the Bulk Claim sequence number that this claim message relates to.

Values:- Three digit number. e.g. sequence 2 would be sent as '002'

5.18 Free Text - SEGMENT TAG FTX

General

This segment contains text for transmission from Class to the LIRMA members.

Each text item is identified by the value of the TEXT SUBJECT CODE at the start of the segment. A summary is given below:-

Code	Description	Usage/validation
------	-------------	------------------

016 Co/Synd Private Footnote The text entered by the LIRMA member
via the interactive facilities within the CLASS
system.

Field - TEXT SUBJECT CODE

TCG Reference:- None Format:- X(3)

Usage:- Mandatory

Description:- code to identify the data contained within this occurrence of the FTX segment.

Values:- 016 Co/Synd private footnote

Field - FREE TEXT

Completion details have been specified separately below for each different value of TEXT SUBJECT
CODE.

COMPANY/SYNDICATE PRIVATE FOOTNOTE (Code 016)

TCG Reference:- None Format:- X(70) repeating

Usage:- Mandatory

Description:- Text entered by the LIRMA member to whom this message is being sent (originally entered
by that member using the Class interactive facilities). Values:- 50 character free format field.

5.19 DATE/TIME REFERENCE - SEGMENT TAG DTM

General

This segment gives details of dates to be transmitted by CLASS to the LIRMA members only.

Field - DATE/TIME QUALIFER

TCG Reference:- None Format:- X(3)

Usage:- Mandatory

Description:- A qualifier which identifies the date to which the segment relates.

Values:- 030 - BUREAU ADVISED DATE

031	-	MEMBER RESPONSE DATE
033	-	DATE OF CIRCULATION

Field - DATE CODED

Completion instructions for the field DATE have been defined separately for each of the valid DATE/TIME QUALIFIER VALUES:-

BUREAU ADVISED DATE (Qualifier = 030)

TCG Reference:- None Format:- 9(8)

Usage:- Mandatory

Description:- The date that the Bureau was advised of the claim movement relating to this claim message.

Values:- Date format (YYYYMMDD)

MEMBER RESPONSE DATE (Qualifier = 031)

TCG Reference:- None Format:- 9(8)

Usage:- Mandatory

Description:- The date that the member Company responded to the claim movement (relates to the response being supplied within the RES segment of this message).

Values:- Date format (YYYYMMDD)

DATE OF CIRCULATION (Qualifier = 033)

TCG Reference:- None Format:- 9(8)

Usage:- Mandatory

Description:- The date the claim was circulated by the LIRMA lead.

Values:- Date format (YYYYMMDD)

5.20 INSURING MARKET AMOUNT DETAILS - SEGMENT TAG MAM

General

Usage:- Conditional

Description:- Indication whether the MEMBER SHARE AMOUNT relates to a Letter of Credit amount or Cash.

Values:- 'C' - Cash

'L' - LOC

5.21 BUREAU LEAD RESPONSE DETAILS - SEGMENT TAG LDR

General

This segment contains details of the lead insurer's responses for information.

Field - BUSINESS CLASS IND

TCG Reference:- None Format:- XX

Usage:- Conditional

Description:- LIRMA business class

Values:-	NM	-	Non-marine Direct Facultative Insurance
	RI	-	Non-marine Facultative Reinsurance
	BA	-	Binding Authority
	XL	-	Non-marine Excess of Loss
	AX	-	Aviation Excess of Loss
	MX	-	Marine Excess of Loss

Field - CLAIM CATEGORY IND

TCG Reference:- None Format:- X

Usage:- Conditional

Values:-	AB	Asbestos Bodily
	AD	Accidental Damage

Description:- Category of claim allocated by PSAC lead.

Values:-	A	-	Property
	B	-	Personal Accident
	C	-	Pecuniary Loss
	D	-	Liability
	E	-	Livestock

Field - CLAIM SUBCATEGORY IND

TCG Reference:- None Format:- XX

Usage:- Conditional

Description:- Two further characters which break down the category of the claim.

Allocated by the LIRMA lead.

AG		Aviation Grounding Liability
AH		Aviation Hull
AL		Aviation Passenger Liability
AN		Aviation Products Liability
AP	-	Asbestos Property
AR	-	Arson
AS	-	Asbestos Not Defined
AT	-	Aviation Third Party Liability
AV	-	Aviation
BB	-	Bankers Blanket Bond
BD	-	Boiler Damage
BE	-	Boiler Explosion
BG	-	Burglary
BI	-	Business Interruption
BL	-	Bulk Collection
BP	-	Burst Pipe

BU	-	Bush Fire
CA	-	Contractors All Risks
CL	-	Contractors Liability
CM	-	Composite
CN	-	Contingency
CO	-	Collapse
CR	-	Credit
CT	-	Contamination
DC	-	Construction Defect
DD	-	Design Defect
DI	-	Disappearance
DM	-	Defect in Manufacture
DO	-	Directors' and Officers' Liability
DP	-	Damage to Power Lines
DS	-	Discrimination
EA	-	Erection All Risks
ED	-	Employee Dishonesty
EL	-	Employers' Liability
EV	-	Earthquake/Volcano
EX	-	Explosion
FA	-	Financial Products
FG	-	Fidelity
FI	-	Fire/Lightening
FL	-	Flood
FN	-	Film Negative
FO	-	Other Financial
FP	-	Food Poisoning Liability

FR	-	Fraud
FS	-	Failure of Supply
FY	-	Forgery
FZ		Freeze
GT		Goods in Transit
HA		Hail
HJ		Hijack
HU		Hold-up
IA		Failed US Inst Accountant Professional Liability
IB	-	Failed US Inst Bankers Blanket Bond
ID	-	Failed US Inst Directors and Officers Liability
IL	-	Failed US Inst Lawyers Professional Liability
IM	-	Failed US Inst Miscellaneous/All Other
IP	-	Impact
KR	-	Kidnap/Ransom
LD	-	Loss of Documents
LI	-	Livestock Infertility
LM	-	Livestock All Risks of Mortality
LS	-	Libel/Slander
LT	-	Livestock Illness
LV	-	Livestock
MA	-	Marine
MB	-	Machinery Breakdown
MC	-	Motor

MD	-	Maintenance
ME	-	Marine Cargo
MG	-	Marine Grounding
MH	-	Marine Hull
ML	-	Marine Liability
MM	-	Medical Malpractice
MN	-	Marine Collision
MO	-	Mortgage Security
MP	-	Malpractice (other than medical)
MR	-	Motor Liability
MS	-	Marine Sinking
MT	-	Motor Accidental Damage/Theft
MV	-	Marine General Average
MX	-	Marine Construction
MZ	-	Marine Capsize
NO	-	No Other Classification
OD	-	Occupational Disease
OE	-	Operator Error
PA	-	Personal Accident
PD	-	Public Liability property Damage
PE	-	Personal Accident Medical Expenses
PG	-	Plate Glass
PI	-	Professional Indemnity/E & O
PL	-	Public Liability Bodily Injury
PM	-	Personal Accident Death
PO	-	Pollution/Spillage
PR	-	Products Guarantee

PS Personal Accident Sickness

PT Personal Accident Disablement

PU		Products Liability
PW		Power Line Liability
PX		Political Risks
PY		Protection and Indemnity
RA	-	Railways Rolling Stock
RC	-	Riot/Strike/Civil Commotion
RS	-	Rig Sinking
SF	-	Satellite Launch Failure
SL	-	Sprinkler Leakage
SO	-	Satellite Loss in Orbit
SR	-	Surety
ST	-	Storm/Hurricane
SU	-	Subsidence/Heave
TC	-	Testing and Commissioning
TE	-	Terrorism
TH	-	Theft
TP	-	General Third Party
VM	-	Vandalism and Malicious Damage
WA	-	War
WB	-	Well/Rig Blowout
WC	-	Workmen's Compensation
WD	-	Water Damage
WE	-	Well/Rig Damage
WW	-	Winter Weather

Field - SIMULTANEOUS REINSTATEMENT IND

TCG Reference:- None Format:- X

Usage:- Conditional

Description:- Indicator returned by bureau lead to indicate that a simultaneous reinstatement of premium is expected with this claim settlement.

Values:- Y - Yes
N - No

Field - SHOW ALL UNDERWRITERS IND

TCG Reference:- None Format:- X

Usage:- Conditional

Description:- Indicator returned by bureau lead to indicate that the broker's claim file should be taken to all following underwriters.

Values:- Y - Yes
N - No

Field - PRECAUTIONARY IND

TCG Reference:- None Format:- X

Usage:- Conditional

Description:- Indicator returned by the bureau lead to indicate that a collection on the claim is unlikely to happen.

Values:- Y - Yes
N - No

Field - LEAD CONTRACTUAL AGREEMENT IND

TCG Reference:- None Format:- X

Usage:- Conditional

Description:- Indicator returned by the bureau lead to indicate that they think that a contractual agreement applies to the claim. This overrides the Contractual Agreement indicator originally transmitted by the Broker with this claim settlement.

Values:- Y - Yes
N - No
S - Small Claims

Field - PRECAUTIONARY IND

TCG Reference:- None Format:- X

Usage:- Conditional

Description:- Indicator returned by the bureau lead to indicate that a collection on the claim is unlikely to happen.

Values:- Y - Yes
N - No

5.22 SDC - SIGNING DETAILS FOR CLAIM

General

This segment contains signing details relating to the claim.

Operation of the segment group

The SDC segment is the 'header' of a segment group. This is a simple group made up of just the SDC segment and a repeating MKT segment.

Field - ORIGINAL BUREAU REFERENCE

TCG Reference:- 1.12 Format:- X(15)

Usage:- Conditional

Description:- The original Bureau signing reference (i.e. that allocated by the Bureau to the original premium transaction).

Values:- LIRMA 13 character alphanumeric field.

Field - ORIGINAL CURRENCY

TCG Reference:- 5.4 Format:- X(3)

Usage:- Mandatory

Description:- Original currency relating to the Bureau Transaction Reference within this segment.

Value:- Must be a valid ISO currency code. Must be the same as the reference currency sent within one of the CUX segments in segment Group 3.

Field - SETTLEMENT CURRENCY

TCG Reference:- 5.6 Format:- X(3)

Usage:- Conditional

Description:- Settlement currency relating to the Bureau Transaction Reference within this segment.

Value:- Must be a valid ISO currency code. Must be the same as the target currency sent within the CUX segment containing the original currency.

Field - SIGNING CLAIM CASH AMOUNT

TCG Reference:- None Format:- -9(13).99

Usage:- Conditional

Description:- Amount of the claim cash settlement, expressed in settlement currency relating to this original bureau reference. For the LIRMA company message the cash amount is sent when the claim is circulated.

Value:- Signed 15 character numeric field with 2 decimal places

Field - SIGNING CLAIM LOC AMOUNT

TCG Reference:- None Format:- -9(13).99

Usage:- Conditional

Description:- Amount of the claim LOC settlement, expressed in settlement currency relating to this original bureau reference. For the LIRMA company message the LOC amount is sent when the claim is circulated.

Value:- Signed 15 character numeric field with 2 decimal places

Field - BUREAU TRANSACTION REFERENCE

TCG Reference:- 1.1 Format:- X(15)

Usage:- Conditional

Description:- This field contains the LIRMA signing reference given to a claim settlement.

Values:- LIRMA 13 character alphanumeric field.

Field - ACCOUNTING TYPE

TCG Reference:- None Format:- X

Usage:- Conditional

Description:- Accounting type relating to the settlement amount contained within this segment.

Note: Since the LIMCLM message was introduced 'Special settlements' have been phased out and weekly settlement became the 'norm'. When 3 Day Rolling Settlement was introduced the indicator continue to be sent as 'W'

Values:- S - Special settlement
W - Weekly settlement

5.23 MKT - INSURING MARKET DETAILS

General

This segment is not used in this part of the message for the LIRMA company details.

5.24 LCR - LETTER OF CREDIT DETAILS

General

This segment allows for the entry of the References relating to a Letter of Credit. The segment is Conditional, but it must be present if the Letter of Credit amount details have been included within the previous SDC segment.

Field - LOC REFERENCE

TCG Reference:- None Format:- X(7)

Usage:- Mandatory

Description:- The reference for the Letter of Credit.

Values:- 7 character, free format, alphanumeric field.

5.25 BLK - BULK DETAILS

General

This segment gives details of each item included within a bulk claim settlement transaction.

Only claims which have been previously advised can be included as items within a bulk claim settlement transaction.

The BLK segment is the first element of a segment group. The other segments of this group are a CUX segment and a repeating AMT (Amounts) segment.

Field - UNIQUE CLAIM REFERENCE

TCG Reference:- None Format:- X(17)

Usage:- Mandatory

Description:- Unique Reference that identifies the claim represented by this bulk item.

Values:- This is made up of the Broker Number and a 12 character reference. This follows the definition provided by the TCG.

Field - TRANSACTION REFERENCE

TCG Reference:- None Format:- X(17)

Usage:- Mandatory

Description:- A reference which when taken in conjunction with the UCR uniquely identifies the new claim movement for the bulk item.

Values:- This follows the definition provided by the TCG.

Field - LOSS DATE

TCG Reference:- 4.47 Format:- 9(8)

Usage:- Mandatory

Description:- Date of loss for the claim item. If day or month part of the date is not known, they may be shown as zero's. For losses extending over a period of days, this date is the first date of that period.

Values:- Numeric date field in format YYYYMMDD. MM and DD may be expressed as 00 if month or day of the loss is unknown.

Field - LOSS NAME

TCG Reference:- None Format:- X(20)

Usage:- Mandatory

Description:- Name of the loss involved with the claim item.

Values:- 20 character free format field

Field - CLAIM SEQUENCE NUMBER

TCG Reference:- None Format:- 9(3)

Usage:- Mandatory

Description:- Running sequence number allocated to each claim movement .

Values:- Must be the 'next' running sequential number for the claim entry to which the item relates.

5.26 CUX - CURRENCIES

General

This segment specifies the original and settlement currency of the bulk settlement amounts held within the following AMT segment.

Field - CURRENCY CODE (REFERENCE)

TCG Reference:- 5.4 Format:- X(3)

Usage:- Mandatory

Description:- ISO Currency code for original currency.

Values:- Must be a valid ISO currency code

Field- CURRENCY QUALIFIER (REFERENCE)

TCG Reference:- None Format:- X(3)

Usage:- Not used

Description:- Not used in the standard claims message.

Field - CURRENCY CODE (TARGET)

TCG Reference:- 5.6 Format:- X(3)

Usage:- Conditional

Description:- ISO Currency code for settlement currency. Note where only the original currency exists this should be entered with the same code.

Values:- Must be a valid ISO currency code

Field - CURRENCY QUALIFIER (TARGET)

TCG Reference:- 5.4 Format:- X(3)

Usage:- Not used

Description:- Not used in the standard claims message.

Field - RATE OF EXCHANGE

TCG Reference:- None Format:- 9(7).9(5)

Usage:- Conditional

Description:- The rate of exchange used to convert target currency to reference currency by division.

Note:- Where the reference currency and the target currency are the same, this is not sent. Where the reference currency and the target currency are different, then this field cannot be blank.

5.27 AMT - AMOUNT DETAILS

General

Description

This segment will be used for all amounts relating to the claim item within the bulk settlement.

For all claim amounts, the 'sign' for the amount is positive if it is due to the Broker, and negative if it is due to the Underwriters.

Field - AMOUNT TYPE

TCG Reference:- None Format:- X(3)

Usage:- Mandatory

Description:- This code identifies the amount within the segment.

Valid Vals:-

001	-	OUTSTANDING AMOUNT
002	-	PREV SETTLED AMOUNT
003	-	CURRENT ESTIMATE
014	-	CLAIM AMOUNT 100PC

Field - AMOUNT FOR ITEM

Completion instructions for this field have been defined separately for each of the different AMOUNT TYPE values.

Usage:- Conditional

OUTSTANDING AMOUNT (Type = 001)

TCG Reference:- 5.44 Format:- -9(13).99

Description:- The current Outstanding amount for the item as advised to the Broker, including

any outstanding fees amounts, expressed as a 100% figure rather than bureau share.

Values:-

Signed 15 character numeric with 2 decimal places. Can be zero.

PREV SETTLED AMOUNT (Type = 002)

TCG Reference:- 5.42 Format:- -9(13).99

Description:- The amount previously settled for the item expressed as a 100% figure rather than bureau share.

Values:-

Signed 15 character numeric with 2 decimal places. Can be zero.

CURRENT ESIMATE (Type = 003)

TCG Reference:- None Format:- -9(13).99

Description:- The Current estimate for the item (i.e. the expected final total amount that will be paid for the item on this policy), expressed as a 100% figure rather than bureau share.

Values:-

Signed 15 character numeric with 2

decimal places. Can be zero.

CLAIM AMOUNT 100PC (Type = 014)

TCG Reference:- 5.36 Format:- -9(13).99

Description:- The settled amount for the item transaction, expressed as 100% figure rather than bureau share.

Field - AMOUNT CURRENCY

TCG Reference:- None Format:- X(3)

Usage:- Mandatory

Description:- Specifies the currency of the amount.

Note:- This currency must be the same as either the reference or the target currency within the CUX segment above.

Field - AMOUNT QUALIFIER

TCG Reference:- None Format:- X(3)

Usage:- Conditional

Description:- Allows for a further coded description of the amount contained within the segment.

Values:- T - Amount is to be advised. Corresponding amount must be zero if this qualifier value is used.

Valid for Entry Code 001 only

N - Amount is Nil. Corresponding amount must be zero if this qualifier is used.

Valid for all Entry Codes.

- F - Fees are expected. It is not necessary for the corresponding amount to be zero if this qualifier is used.
Valid for Entry Code 001 only
- P - Advice is Precautionary. Corresponding amount must be zero if this qualifier value is used.
Valid for Entry Code 001 only
- C - Claim is 'closed'. All outstanding amounts in different currencies previously advised for the claim must be set to zero if this qualifier is used.
Valid for Entry Code 001 only
- R - A Recovery is expected. It is not necessary for the corresponding amount to be zero if this qualifier is used.
Valid for Entry Code 001 only
- S - Subrogation is expected. It is not necessary for the corresponding amount to be zero if this qualifier is used.
Valid for Entry Code 001 only
- V - Salvage is expected. It is not necessary for the corresponding amount to be zero if this qualifier is used.
Valid for Entry Code 001 only

5.28 CMI - CLAIM ITEMS

General

This segment provides details of individual claim items that apply to Cover claims. This segment is not used for LIRMA claims.

6 APPENDIX 1

UMR, UCR AND TR PREFIXES USED IN THE CLAIMS MESSAGE

The Unique Market referencing guidelines published during 1990 stipulated that the UMR, UCR and the TR should each be 17 characters long, made up of a 12 character reference allocated by the originator of the business transaction, plus a 5 character prefix identifying that originator.

Since original publication of the guidelines, discussions have continued in order to define the way in which Unique Referencing should be implemented within the London Market. One of the outcomes of these discussions is a full definition of the 5 character prefixes which are necessary for the implementation of the London Insurance Market Claim Message.

Since the agreed prefixes have not been officially published to date the purpose of this appendix is to list those that relate to version 2.0 of the London Insurance Market Claim Message.