



EDI Technical specification

LIMCLM (CLMILC)

Carrier Claim Notification: ILU

Issue Date: November 2023

Copyright Information

© Velonetic™ 2023

All rights reserved. No part of this publication may be reproduced, stored in a retrieval system, or transmitted in any form or by any means, electronic, mechanical, photocopying, recording, or otherwise, without the prior permission of Velonetic.

Note only signed hard copies and electronic masters of documents will be controlled. Any other copy may not be current.

Trademark Information

Company, product, or brand names mentioned in this document, may be the trademarks of their owners.

Contents

use of the technical specification	4
1 Introduction	5
1.1 Background	5
1.2 Current Claims Messages	5
1.3 INTERCHANGE AGREEMENT	6
1.4 MESSAGE DESIGN STANDARDS	6
1.5 TERMS AND DEFINITIONS	6
1.6 USE OF SEPARATORS	7
2 OPERATING CONSIDERATIONS	8
2.1 I.E REGISTRATION	Error! Bookmark not defined.
2.2 OPERATING TIMETABLE	8
2.3 AUDIT AND CONTROL	8
2.4 TEST TRANSMISSIONS	8
2.5 RE-TRANSMISSION	9
2.6 SEQUENCE OF TRANSACTIONS	9
2.7 CHANGE CONTROL	9
3 BUSINESS OVERVIEW	10
4 Message Structure	16
4.1 Message Diagram	16
4.2 Segment Descriptions	19
4.3 SEGMENT DEFINITIONS	25
5 MESSAGE COMPLETION INSTRUCTIONS	38
5.1 CHD - CLAIM DETAILS HEADER	38
5.2 NAD - NAME AND ADDRESS	44
5.3 CTA - CONTACTS	46
5.4 RFF - References	47
5.5 CRD - CLAIM RISK DETAILS	49
5.6 AMT - AMOUNT DETAILS	52

5.7	CLM - CLAIM DETAILS	54
5.8	DTM - DATE/TIME REFERENCE	55
5.9	CUX - CURRENCIES	61
5.10	AMT - AMOUNT DETAILS	62
5.11	FTX - FREE TEXT	68
5.12	SDC - SIGNING DETAILS FOR CLAIM	73
5.13	MKT - INSURING MARKET DETAILS	75
5.14	LCR - LETTER OF CREDIT DETAILS.....	77
5.15	BLK - BULK DETAILS	77
5.16	CUX - CURRENCIES.....	79
5.17	AMT - AMOUNT DETAILS	80
5.18	CMI - CLAIM ITEMS.....	83
5.19	DTM - DATE/TIME REFERENCE	84
5.20	AMT - AMOUNT DETAILS	85

USE OF THE TECHNICAL SPECIFICATION

Update - March 2023: This technical specification was released in **March 2023** and replaces the previous version dated **February 2005**.

Update - March 2023: This technical specification was released in March 2023 and replaces the version dated February 2005. The February 2005 version has been split into three documents CLMILB and CLMLLB for brokers and CLMILC for carriers. The following changes have been made:		
Section Number/Name	Change	Reason for Change
Segment Layouts	Message layout added	Added to spec
Formatting has been applied to reflect the technical specification has been published by the London Market Joint Venture.		

1 INTRODUCTION

1.1 Background

The London Insurance Market Claims Message (LIMCLM) is a standard format for the transmission of claims advices and settlements via Information Exchange facilities within LIMNET.

This message format has been agreed by ILU, LIBC, Lloyd's and LIRMA as the standard for use in all networked claims dialogue between Broker and Bureaux

There is now a joint market decision that agreed message formats used for Broker and Bureau communication should also be used when there is a requirement for Bureaux and Company communication.

The decision has therefore been taken by the ILU to send claim information to companies via the London Market Standard Claims Message. The message contains segments which are not used by the ILU.

1.2 Current Claims Messages

The existing claims messages will be affected in the following way:-

- No further enhancements will be applied to the existing ILUCMA message.
- No new registrations for ILUCMA will be accepted.
- The existing ILUCMA messages will continue to be supported for an adequate time to allow all users to convert their system to accept the new message.

1.3 INTERCHANGE AGREEMENT

LIMCLM is a TCG sponsored message. The provisions of the LIMNET Interchange Agreement are applicable to its operation.

This technical manual is provided subject to the provisions of the LIMNET Interchange Agreement.

The provisions of the Interchange Agreement will always take precedence over the contents of this specification.

1.4 MESSAGE DESIGN STANDARDS

The London Market Standard Claims Message conforms with the following standards: -

- Electronic Data interchange for Administration, Commerce and Transport (EDIFACT)
- EDIFACT (UN ECE Syntax Rules) ISO 9735.
- London Insurance Market Data Standards.
- London Insurance Market Edifact Standards.

Several messages may be transmitted together in one 'interchange'. Each interchange will be enveloped by standard EDIFACT interchange header (UNB) and trailer (UNZ) segments.

Each message will be enveloped by standard EDIFACT message header (UNZ) and trailer (UNT) segments.

1.5 TERMS AND DEFINITIONS

Interchange

A transmission of information between the Network members.

Message

A collection of data that represents a business transaction. Several messages may be transmitted together in one transmission.

Segment

A logical grouping of data that forms a part of a message. Each segment is given a unique identifier and has pre-defined position in a message.

Data Elements

An individual item of data which is included in the transaction.

Component Data Elements

A subordinate item of data which makes up a Data Element.

1.6 USE OF SEPARATORS

Each component Data Element (CDE) is separated by a single COLON character. If a conditional component data element is omitted its separator is retained if further components follow.

There is no COLON separator after the last component in an element and separators for components missing at the end of an element are suppressed.

E.g. CDE:CDE:CDE
 CDE::CDE (the second component is missing)
 CDE:CDE (the last component is missing)

Each Data Element (DE) is separated by a single PLUS character. If a conditional data element is omitted, its separator is retained if further data elements follow in that segment.

There is no PLUS separator after the last element in a segment, and separators for elements missing at the end of a segment are suppressed.

E.g. DE+DE+DE
 DE++DE (the second element is missing)
 DE+DE (the last element is missing)

Each segment is terminated by a single QUOTE character.

E.g. DE+DE+DE'

2 OPERATING CONSIDERATIONS

2.1 I.E REGISTRATION

A user discovering a problem with the message is requested to report it with all possible speed and detail. Speed is of the essence to ensure a minimum delay in rectifying the problem, notifying it to other users and avoidance of re-processing and/or backlogs.

Users are requested to ensure that any queries of a purely factual nature concerning XIS/XCS transactions are addressed to:

DXC Service Desk Telephone: 0870 380 0830

Email: servicedesk@dxc.com.

Any enquiries concerning the service, or transmissions, should be directed to:

DXC Messaging

Telephone: +44 2036046743

Email: XISProductionITMsg@dxc.com

2.2 OPERATING TIMETABLE

Signings will be transmitted each night, for the completed working day.

Messages will normally be available for collection from the recipient's mailbox by 06.00 the following day.

2.3 AUDIT AND CONTROL

Controls will be provided in all messages transmitted by the ILU, as described in section 5.6 of the ILU Network User Manual (version 2, August 1990) and in the London Insurance Market Edifact Standards.

Copies of these documents are available from the ILU BUSINESS SERVICES

2.4 TEST TRANSMISSIONS

Should a user wish to test a new message subscription or a change to an existing subscription, please contact the Client Implementation team.

This will be chargeable. Email: sm.testingengagements@dxc.com

Further details of test facilities can be obtained from ILU MARKET TECHNICAL LIAISON,.

2.5 RE-TRANSMISSION

Interchange will be available for re-transmission for six years.

The original INTERCHANGE CONTROL REFERENCE and MESSAGE NUMBER will be repeated in a re-transmission.

2.6 SEQUENCE OF TRANSACTIONS

Transactions will be sequenced by Unique Claim Reference (UCR) and Transaction Reference (TR).

2.7 CHANGE CONTROL

Enhancements to the LIMCLM message will be grouped together at convenient intervals, to form a new release of the message. The UNH Message Version Number will be incremented for each new release.

During that period, users may take the new version for testing, while continuing to receive the old version for live use.

After six months the old version will be withdrawn.

3 BUSINESS OVERVIEW

General

The London Insurance Market Claims Message has been designed with the aim of allowing all types of claim to be processed. Data defined within the message falls into two main areas; general information required for the processing of all types of claim, and additional specific information required for the processing of certain identified special types of claim. There is also a large amount of completely free format text included to support the formatted data, and to allow the flexibility to report any additional data required for unusual types of claims.

It should be noted that it is not the intention of this message, in its current form, to completely replace the paper 'claims file' used at present within the London Market. Correspondence, Survey Reports and other physical documents will continue to be needed to support the claims agreement process within the London Market.

Bulk Advice/Settlements

Where many claims have been advised on the same risk, there is sometimes a requirement for several subsequent advices or settlements affecting individual claims to be grouped together into one transaction.

The detail given for each individual item included within a Bulk Advice/Settlement transaction is limited to brief descriptive data and amounts, with a cross reference to the UCR under which it was originally advised. This is catered for within the BLK segment grouping of the message.

Cover Collections

Where a Broker has a Lineslip or similar Cover facility, there will often be a requirement to advise all claim settlements relating to small claims on a periodic basis, rather than advise these individually (e.g., where the Broker has his own settling authority).

Where this is the case, the Broker can submit a settlement request message giving general details regarding the total settlement amount, the policy details etc, and include within it a breakdown of the individual claims which go to make up the total settlement amount.

The detail given for each individual item included within a Cover Collection is limited to brief descriptive data and amounts.

This is catered for within the CMI segment grouping of the message.

Excess of Loss Aggregates

Where a claim is to be processed on an Excess of Loss Reinsurance contract with an Aggregate Limit or Excess involved, there will be a breakdown of all claims that apply to the contract.

Following discussions with ILU claims adjusters, it has been decided to provide that breakdown as free form text.

Multi-Currency Claims

Often there will be a requirement for the advice or settlement of a claim in various currencies (mainly on London Market Excess of Loss Reinsurance business). Where this is the case, one claim advice or settlement request transaction may include details of up to three different currency amounts.

Letters of Credit

Letters of credit are usually set up upon the expiry of North American Reinsurance Policies, although they can be set up midway through the term of a policy in some cases. They are set up to cover known outstanding losses and are usually run by Citibank, although other banks can be used. They are set against the Reinsurer's accounts and allow the Reinsured to draw money against them in the USA at any time. With Citibank, a separate trust agreement is taken out between the lawyers, Mendes and Mount, and the Reinsured to control the drawings. Mendes and Mount will then advise Reinsurers of every claim against which a drawing has taken place.

The UK Broker will usually be advised of any claim settlement by the Reinsured, and therefore be aware of each potential LOC drawing before it occurs. It is at this stage that Brokers will currently advise Reinsurers of the LOC drawing (i.e., before it actually occurs) and any consequent reductions in outstanding figures.

In some cases, where several drawings have already occurred, it is possible for the LOC balance to be insufficient to pay for the whole of a claim settlement. In these cases, the Broker will also want to collect a cash claim amount through Central Settlement at the same time as advising the LOC amount.

Rate of Exchange Adjustments

This occurs where a previously agreed settlement transaction requires amendment due to a correction of the rate of exchange.

Contra Entry Corrections

This transaction will be provided when a previously agreed settlement transaction needs to be cancelled out, for example when the original references for a claim need to be changed.

Transfer of Business

This transaction occurs when a claim is transferred from one Broker to another.

Claim Objections

This type of claim indicates that a company has raised an objection with the ILU to a previously agreed claim.

4 MESSAGE STRUCTURE

3.1 Message Diagram

This segment is not used by ILU

The following page shows a diagram of the message.

This diagram gives a definition of the location of segments within the claim message. Many of these messages can be included within one Interchange.

Individual segments are identified by a box containing a 'tag' (e.g. 'UNH') which corresponds to that used in the detailed description of each segment given in previous pages of this document.

Within each box there is an 'M' or a 'C' shown in the bottom lefthand corner, and also a numeric value shown in the bottom righthand corner.

The numeric value represents the number of times the segment may repeat in the position shown within the message. An 'M' means that at least one occurrence of the segment is mandatory (i.e. it must be transmitted), whilst a 'C' means that the segment is conditional (i.e. it need not be transmitted)

It should be noted that the conditional nature of a segment as defined within the diagram may be modified by additional stipulations shown within the Completion Instructions for the claim message.

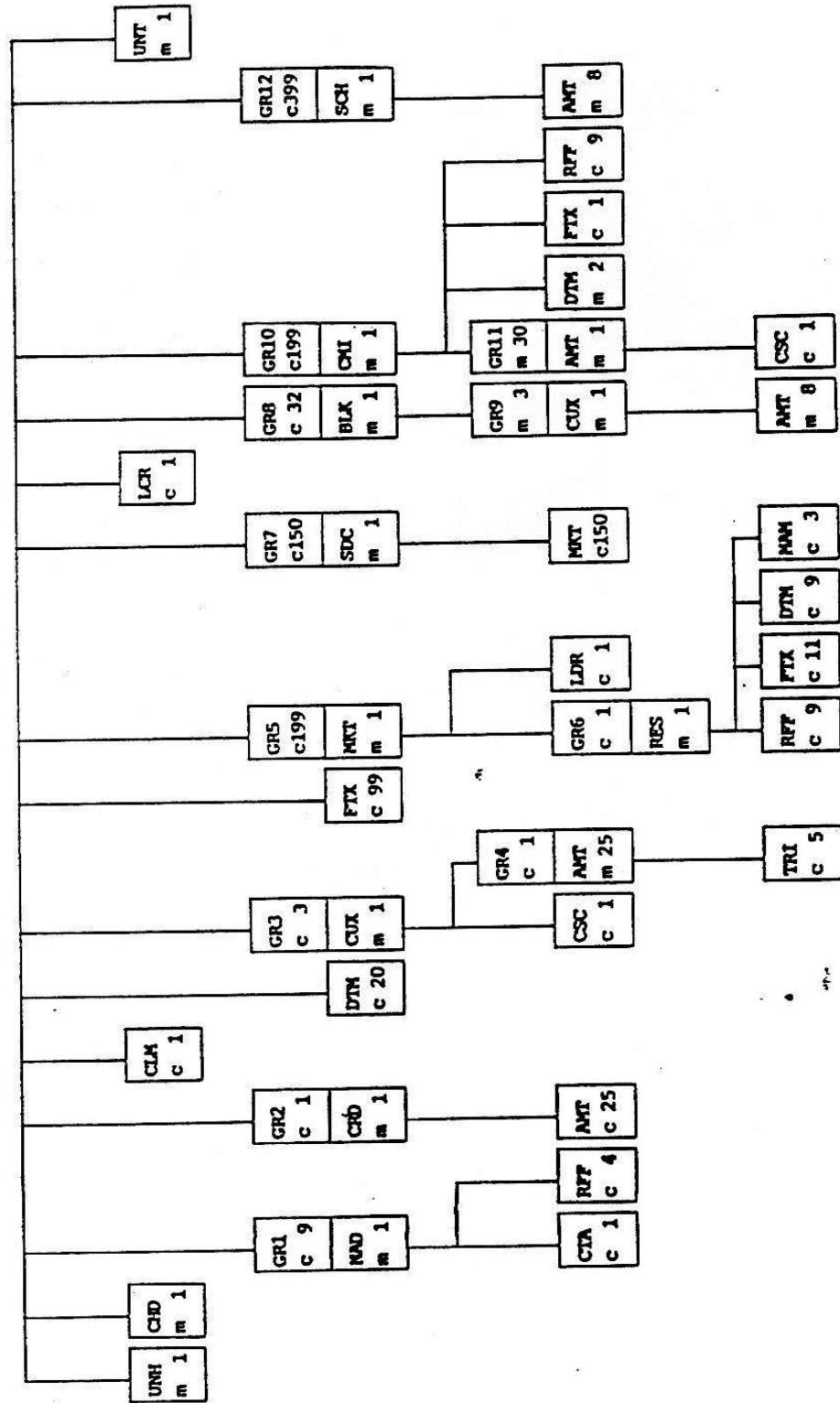
Some segments are part of a 'segment group'. The diagram signifies the start of a group by the addition of an extra section to the top of one of the segment boxes. This segment then becomes the first segment of the group. All segments within the structure below this are then part of the settlement group. Within the extra section a group reference is shown (e.g. 'GR1', 'GR2', etc), and a similar notation as described for individual

segments is shown in the bottom left and right-hand corners. This notation has the same meanings as have been previously outlined, except that they apply to the whole group of segments.

Individual segments within a group also have their own notation in the same way as other segments. However, it should be noted that the notation will only apply if the segment group has been transmitted. For instance, within 'GR1' in the diagram, the NAD segment is shown as 'M' (mandatory), although the segment group of which it forms a part is shown as 'C' (conditional). In this case, the group need not be transmitted at all, however if it is transmitted, then the NAD segment must be transmitted.

It is important to note that the message diagram gives only a very simple picture of the data requirements of the message. The completion instructions for the claim message should be studied in conjunction with this to identify all mandatory segments and data elements required.

LONDON MARKET STANDARD CLAIMS MESSAGE



LIMCLM - VERSION 2.1

3.2 Segment Descriptions

3.2.1 UNB Interchange Header

A mandatory segment that starts a communication interchange. It contains sender and recipient addresses and provides an interchange control reference for identification.

3.2.2 UNH Message Header

A mandatory segment that starts a message. It identifies the type of message and provides a message reference number for audit and control.

3.2.3 CHD Claim Header Details

A mandatory segment that identifies a claim and denotes the type of message.

3.2.3.1 SEGMENT GROUP 1

NAD Name and Address

A segment, which identifies a participant in the claim.

CTA Contacts

A segment that gives the name of a person or department in the participants organisation to whom communication about the claim should be directed.

RFF Reference

A segment that gives the participant's reference to be used in communications about the claim.

The segment is repeated for each of the participant's references.

3.2.3.2 SEGMENT GROUP 2

CRD Claim Risk Details

A segment that contains details of the risk on which the claim has occurred.

AMT Amount Details

A segment that gives details of the various risk amounts. The segment is repeated for each amount.

CLM Claim Details

A segment that gives details of the dates relating to the claim.

This segment is repeated for each date provided.

DTM Date/Time

A segment that gives details of the dates relating to the claim.

This segment is repeated for each date provided.

3.2.3.3 SEGMENT GROUP 3

CUX Currencies

A segment that associates two currencies with a rate of exchange.

A 'CUX' segment must precede each set of amount details.

CSC Claim Statistical Codes

This segment is not used by ILU.

3.2.3.4 SEGMENT GROUP 4

AMT Amount Details

A segment that gives details of the various claim amounts.

This segment is repeated for each amount.

TRI Tax Related Information

This segment is not used by the ILU.

FTX Free Text

A segment that allows additional free format text details relating to the claim.

This segment is repeated for each type of text.

3.2.3.5 SEGMENT GROUP 5

MKT Market Details

This segment is not used by ILU in transmissions to members.

3.2.3.6 SEGMENT GROUP 6

RES Member Responses

This segment is not used by ILU in transmissions to members.

RFF References

This segment is not used by ILU

DTM Date/Time

This segment is not used by ILU

MAM Member Amounts

This segment is not used by ILU.

LDR Leader Details

This segment is not used by ILU in transmissions to members.

3.2.3.7 SEGMENT GROUP 7

SDC Signing Details For Claim

A segment that gives the bureau signing reference.

Where a multi-currency settlement is involved, the segment is repeated for each signing number allocated by the ILU.

An SDC segment must precede each set of MKT segments

MKT Market Details

A segment that gives the insurer's details.

The segment will be repeated for each line that a company has on the claim.

LCR Letter of Credit Details

A segment that provides a Letter of Credit reference.

3.2.3.8 SEGMENT GROUP 8

BLK Bulk Details

A segment that gives details of individual claims included in a bulk settlement.

The segment is repeated for each component claim.

3.2.3.9 SEGMENT GROUP 9

CUX Currencies

A segment that gives the currencies of the bulk item amounts.

A CUX segment must precede each set of amount details.

AMT Amount Details

A segment that gives details of the bulk item amounts.

The segment is repeated for each amount.

3.2.3.10 SEGMENT GROUP 10

CMI Claim Items

A segment that gives details of items included in a cover collection.

3.2.3.11 SEGMENT GROUP 11

AMT Amount Details

A segment that gives details of the cover item amount.

The segment is repeated for each amount.

CSC Claim Statistical Codes

This segment is not used by the ILU.

DTM Date/Time

A segment that gives details of the loss date of the cover item.

FTX Free Text

This segment is not used by ILU

RFF References

This segment is not used by the ILU

3.2.3.12 SEGMENT GROUP 12

SCH Schedule Details

This segment is not used by ILU

AMT Amount Details

This segment is not used by ILU

UNT Message Trailer

A mandatory segment that ends a message. It repeats the message reference number given in the UNH segment, and provides a count of the number of segments in the message (including the UNH and UNT segments).

UNZ Interchange Trailer

A mandatory segment that ends a communication interchange. It repeats the interchange control reference given in the UNB segment and provides a count of the number of messages in the interchange.

3.3 SEGMENT DEFINITIONS

The following pages provide a list of all of the data elements contained within the London Market Standard Claim Message.

In each instance an element reference number is given, accompanied by the element name and format.

Data formats are described using the following conventions:

'a' denotes an alphanumeric field

'n' denotes a numeric field

(..) indicates the number of characters permitted.

The usage of the element within the segment is shown as:

MANDATORY the element is always required if the segment is included in a message

CONDITIONAL the element may be omitted, or the requirement for it is subject to specific conditions.

Where elements are used together as components of a group, the composite data element is shown without a data format.

The contents of each segment are detailed within the following pages.

The standard Edifact segments UNB, UNH, UNT and UNZ are not detailed here as they do not apply only to the claims message. Please refer to section 7 of the ILU Network User Manual for details of the contents of these segments.

Segment definitions are given only once, in alphabetical order, even though they may appear at several places within the message.

The order in which the segments repeat within the message, and also details of permitted repetitions and segment grouping, can be determined from the message diagram.

3.3.1 Segment Name: General Amounts AMT

Description:

	LPC-AMT-SEG-TAG	an3		'AMT'.
C803	AMOUNT DETAILS		M	
0836	Amount Type		M	an..3
0838	Amount for Item		C	n..15
0837	Amount Currency		C	a3
0839	Amount Qualifier		C	an..3

3.3.2 Segment Name: Bulk Advice/Settlement details BLK

Description

	LPC-BLK-SEG-TAG	an3		'BLK'.
0801	UNIQUE CLAIM REFERENCE		M	an..17
0802	TRANSACTION REFERENCE		M	an..17
0876	LOSS DATE		C	n8
0829	LOSS NAME		C	an..20

3.3.3 Segment Name: Claim Details Header CHD

Description:

	LPC-CHD-SEG-TAG	3		'CHD'.
0801	UNIQUE CLAIM REFERENCE		M	an..17
0802	TRANSACTION REFERENCE		M	an..17
C801	TRANSACTION PROCESSING IND		M	
0803	Transaction Type		M	an..3
0804	Transaction Type Qualifier		M	an..3
0805	Transaction Subtype		C	an..3
0806	Transaction Validation Response		C	an..3
0885	TYPE OF CLAIM		C	an..3
0886	PARTIAL COLLECTION INDICATOR		C	al
0807	UNIQUE MARKET REFERENCE		C	an..17
0810	ATTACHMENTS INDICATOR		C	an1
0811	NUMBER OF OUTSTANDING RESPONSES		C	n2
0813	LOSS PREV ADVISED NON NETWORK		C	a1
0814	CONTRACTUAL AGREEMENT CODE		C	al
0815	CEDANT IN LIQUIDATION INDICATOR		C	al
0883	ASSOCIATED CLAIM REFERENCE		C	an..17
0884	ASSOCIATED TRANSACTION REFERENCE		C	an..17
0887	CONFIDENTIALITY INDICATOR		C	al

3.3.4 Segment Name: Claim Details CLM

Description

0828	LOSS LOCATION	an..50
0829	LOSS NAME	an..20
0830	VESSEL/AIRCRAFT	an..50
0831	MAJOR CASUALTY/RELATED EVENT CODE C	an..4
0832	PROPERTY CLAIMS SERVICES CODE	an..4
0833	TOTAL LOSS INDICATOR	al
0834	WAR INDICATOR	al
0835	CLAIMANT	an..50
0840	CLAIM TYPE CODE	an..3
0842	YEAR OF ACCOUNT	n4
1806	ORIG POLICY CLAIM REFERENCE	an..17

3.3.5 Segment Name: Claim Items CMI

0889	CLAIM ITEM QUALIFIER	a3
0890	CLAIM ITEM REFERENCE	n3
0829	LOSS NAME	an..20

3.3.6 Segment Name: Claim Risk Details CRD

Description:

LPC-CRD-SEG-TAG 3 'CRD'.

0816	INSURED	C	an..50
0817	REINSURED/RETROCEDANT	C	an..50
0827	ORIGINAL INSURED	C	an..50
0818	INTEREST	C	an..70
0819	PERILS/CONDITIONS	C	an..70
0820	LOCATION/VOYAGE	C	an..70
C802	SLIP ORDER	C	
0821	Slip Order Non Standard	C	al
0822	Slip Order 1	C	n..10
0823	Slip Order 2	C	n..10
0894	RI XL AGG BASIS	C	a1
0824	BROKER POLICY REFERENCE 1	C	an..12
0825	BROKER POLICY REFERENCE 2	C	an..12

3.3.7 Segment Name: Claim Statistical Codes CSC

Description:

0864	ORIGINAL BUREAU REFERENCE	M	an..15
0841	RISK CLASSIFICATION CODE	C	an4

0843	FIL CODE	C	an..4
C804	AUDIT CODE	C	
0844	Audit Code Marine	C	an..2
0845	Audit Code Non Marine	C	an..2
0846	Audit Code Aviation	C	an..2
0847	DESIGNATION CODE	C	an3

3.3.8 Segment Name: Contact CTA

Description:

LPC-CTA-SEG-TAG **3** **'CTA'.**

3139	CONTACT FUNCTION CODE	M	an2
C056	DEPT OR EMPLOYEE IDENTIFICATION	C	
3413	Department or Employee, Coded	C	an..17
3412	Department or Employee	C	an..35
C076	COMMUNICATION CONTACTS	C	
3148	Communication Number	M	an..25
3153	Communication Channel Identifier	C	an..3
C076	COMMUNICATION CONTACTS	C	
3148	Communication Number	M	an..25
3153	Communication Channel Identifier	C	an..3
C076	COMMUNICATION CONTACTS	C	

3148	Communication Number	M	an..25
3153	Communication Channel Identifier	C	an..3
C076	COMMUNICATION CONTACTS	C	
3148	Communication Number	M	an..25
3153	Communication Channel Identifier	C	an..3
C076	COMMUNICATION CONTACTS	C	
3148	Communication Number	M	an..25
3153	Communication Channel Identifier	C	an..3

3.3.9 Segment Name: Currencies CUX

Description:

LPC-CUX-SEG-TAG 3 'CUX'.

C180	REFERENCE CURRENCY	M	
6345	Currency Code	M	a3
6343	Currency Qualifier	C	an..3
C182	TARGET CURRENCY	C	
6345	Currency Code	C	a3
6343	Currency Qualifier	C	an..3
5402	RATE OF EXCHANGE	C	n..12

3.3.10 Segment Name: Date/Time Reference DTM

Description:

LPC-DTM-SEG-TAG		3		'DTM'.
2005	DATE/TIME QUALIFIER	M	an..3	
2001	DATE, CODED	C	n8	
2002	TIME	C	n4	
2461	TIME ZONE SPECIFIER, CODED	C	an3	

3.3.11 Segment Name: Free Text FTX

Description:

LPC-FTX-SEG-TAG		3		'FTX'.
4451	TEXT SUBJECT CODE	M	an..3	
4453	TEXT FUNCTION CODE	C	an..2	
C107	TEXT REFERENCE	C		
4441	Free Text, coded	M	an..3	
1131	Code list identifier, coded	C	an2	
C108	TEXT LITERAL	C		
4440	Free text	C	an..70	
4440	Free text	C	an..70	
4440	Free text	C	an..70	
4440	Free text	C	an..70	
4440	Free text	C	an..70	

3.3.12 Segment Name: Letter of Credit Details LCR

Description:

LPC-LCR-SEG-TAG 3 'LCR'.

0848 LOC REFERENCE Man..7

0849 LOC DATE C n8

3.3.13 Segment Name: Bureau Leader Response Details LDR

Description:

LPC-LDR-SEG-TAG 3 'LDR'.

0870 BUSINESS CLASS IND C an2

0871 CLAIM CATEGORY IND C an1

0872 CLAIM SUBCATEGORY IND C an2

0873 SIMULTANEOUS REINSTATEMENT IND C a1

0874 SHOW ALL UNDERWRITERS IND C al

0875 PRECAUTIONARY IND C al

0895 LEAD CONTRACTUAL INDICATOR C al

0896 LEAD COMMENTS IND C al

3.3.14 Segment Name: Insuring Market Amount Details
MAM

Description:

LPC-MAM-SEG-TAG 3 'MAM'.

0866	ORIGINAL CURRENCY	Man3
0867	SETTLEMENT CURRENCY	Ma3
0897	MEMBER SHARE AMOUNT	C n..15
1808	MEMBER CASH/LOC INDICATOR	C a1

3.3.15 Segment Name: Insuring Market Details MKT

Description:

LPC-MKT-SEG-TAG 3 'MKT'.

0850	COMPANY/SYNDIACTE IDENTIFICATION	Man..9
0854	COMPANY/SYNDICATE SIGNED LINE %	Mn..10
C805	COMPANY/SYNDICATE REFERENCES	M
0878	Company/Syndicate Reference	Man..15
0879	Company/Syndicate Secondary Reference	C an..15
0851	COMPANY/SYNDICATE POSITION NUMBER C	n..3
0852	COMPANY/SYND CONFLICT IND	C al
0853	COMPANY/SYND NON PARTICIPANT IND	C al
0898	COMPANY/SYNDICATE CASH/LOC IND	C al
0899	COMPANY/SYNDICATE CASH AMOUNT	C n..15
1801	COMPANY/SYNDICATE LOC AMOUNT	C n..15

3.3.16 Segment Name: Name and Address NAD

Description:

LPC-NAD-SEG-TAG		3		'NAD'.
3035	PARTY QUALIFIER		M	an..3
C082	PARTY IDENTIFICATION		C	
3039	Party Identification, coded		M	an..17
1131	Code List Identifier, coded		C	an2
C058	NAME AND ADDRESS		C	
3124	Address Line		M	an..35
3124	Address Line		C	an..35
3124	Address Line		C	an..35
3124	Address Line		C	an..35
3124	Address Line		C	an..35
C080	PARTY NAME		C	
3036	Party Name		M	an..35
3036	Party Name		C	an..35
3036	Party Name		C	an..35
C059	STREET		C	
3042	Street and Number/P.O Box		M	an..35
3042	Street and Number/P.O Box		C	an..35
3042	Street and Number/P.O Box		C	an..35
3164	CITY NAME		C	an..35
3229	COUNTRY SUB-ENTITY CODE		C	an..9
3251	POSTAL CODE		C	an..9
3207	COUNTRY, CODED		C	a2

3.3.17 Segment Name: Insuring Market Response Details RES

Description:

	LPC-RES-SEG-TAG		3		'RES'.
0862	COMPANY/SYND RESPONSE CODE	M		a3	
0855	COMPANY/SYND RESPONSE TYPE	C		a1	
0856	NFR INDICATOR	C		a1	
0857	IMMED PARTIAL COLLECTION IND	C		a1	
C806	REQUEST TO BROKER	C			
0858	Request to broker line	M		an..50	
0858	Request to broker line	C		an..50	
0859	USER RESPONSE ID	C		an..8	
0860	MEMBER CONTACT	C		an..15	
0861	MEMBER CONTACT TELEPHONE NO	C		an..15	

3.3.18 Segment Name: Reference RFF

Description:

	LPC-RFF-SEG-TAG		3		'RFF'.
1153	REFERENCE QUALIFIER	M		an..3	
C274	REFERENCE	M			
1154	Reference Number	M		an..35	
1156	Line Number	C		an..6	

3.3.19 Segment Name: Schedule Line Items SCH

Description:

1802	CLAIM ITEM REFERENCE	M		n3	
1803	DATE OF SETTLEMENT	C		n8	
1804	SCHEDULE SECTION IND	C		an1	

3.3.20 Segment Name: Signing Details for Claim SDC

Description:

LPC-SDC-SEG-TAG		3	'SDC'.
0864	ORIGINAL BUREAU REFERENCE	C	an..15
0866	ORIGINAL CURRENCY	M	a3
0867	SETTLEMENT CURRENCY	C	a3
0869	SIGNING CLAIM CASH AMOUNT	C	n..15
1805	SIGNING CLAIM LOC AMOUNT	C	n..15
0863	BUREAU TRANSACTION REFERENCE C		an..15
0868	ACCOUNTING TYPE	C	a1

3.3.21 Segment Name: Tax Related Information TRI

Description:

C241	TAX TYPE	C	
5153	Duty/tax type, coded	C	an..3
5152	Duty/tax type	C	an..35
5305	DUTY/TAX CATEGORY CODE	C	an..2
5279	DUTY/TAX RATE, CODED	C	n..7
5492	TAX AMOUNT	C	n..15
3446	PARTY TAX IDENTIFICATION NO	C	an..20

4 MESSAGE COMPLETION INSTRUCTIONS

The following pages give the segment and data element completion instructions for the London Insurance Market Claim Message.

The Completion Instructions give details of data fields in the order they are transmitted within a message, and so there is a separate section for each segment as it appears within the message diagram previously given within the Technical Specification.

Completion instructions are only provided for those segments and elements which are used by the ILU and which apply to transmissions from the ILU to its members.

The format of each field is given using standard COBOL notation and shows the size of the field as actually supplied by the ILU. In some instances, this may be less than the size shown.

4.1 CHD - CLAIM DETAILS HEADER

4.1.1 Field - UNIQUE CLAIM REFERENCE

TCG Reference:- None Format:- X(17)

Usage:- Mandatory

Description:- Unique Reference that identifies the claim.

4.1.2 Field - TRANSACTION REFERENCE

TCG Reference:- None Format :- X(17)

Usage:- Mandatory

Description:- A Reference which when taken in conjunction with the UCR uniquely identifies the claim movement associated with the message.

4.1.3 Field - TRANSACTION TYPE

TCG Reference:- None Format:- X(3)

Usage:- Mandatory

Description:- Indicates the type of message.

Values:-

001	(First Advice)
002	(Subsequent Advice)
003	(First Advice and Settlement)
004	(Subsequent Advice and Settlement)
005	(Transfer of Business)

Note:- 'First Advice' should be taken to mean the first advice on CLAMS, even if it was previously advised manually.

4.1.4 Field - TRANSACTION TYPE QUALIFIER

TCG Reference:- None Format:- X(3)

Usage:- Mandatory

Description:- Qualifying indicator to show if claim movement is being sent for the first time, or is a replacement or cancellation of a previously sent claim movement.

Values:- 001 (New Entry)
002 (Replacement of previously sent entry)
003 (Cancellation of previously sent entry)

Field - TRANSACTION SUBTYPE

TCG Reference:- None Format:- X(3)

Usage:- Conditional

Description:- Used to provide additional information regarding the origin of the transaction.

Values:- 008 (Interim advice from Bureau Lead)
009 (Change of Leader)
010 (Created by CPA department)
011 (Created by Salvage Association)

4.1.5 Field - TRANSACTION VALIDATION RESPONSE

TCG Reference:- None Format:- X(3)

Usage:- Conditional

Descriptions:- Used to provide additional qualification placed on the transaction, by the ILU leader

Values:- 006 Simultaneous Reinstatement of Premium

4.1.6 Field - TYPE OF CLAIM

TCG Reference:- None Format:- X(3)

Usage:- Conditional

Description:- Indicates the type of the claim where this has unusual processing requirements.

Values:-

- 001 (Bulk Advice/Settlement)
- 002 (Excess of Loss Aggregate)
- 003 (Cover collection)
- 006 (Rate of Exchange Adjustment)
- 007 (Contra Entry)
- 008 (Claim Objection)

4.1.7 Field PARTIAL COLLECTION INDICATOR

-

TCG Reference:- None Format:- X

Usage:- Conditional

Description:- Indicates that this claim transaction requires a Partial Collection from the market.

Values:- Y - Partial Collection required.

4.1.8 Field - UNIQUE MARKET REFERENCE

TCG Reference:- 1.19 Format:- X(17)

Usage:- Conditional

Description:- Unique Reference that identifies the risk to which the claim relates.

4.1.9 Field - ATTACHMENT INDICATOR

TCG Reference:- 5.32 Format:- X

Usage:- Conditional

Description:- Value of 'Y' indicates that the claim is supported by an electronic claim file instead of a paper claim file.

Values:- Y (Yes)
N (No)

Change with effect from 26/11/07

4.1.10 Field - LOSS PREV ADV NON NETWORK

TCG Reference:- None Format:- X

Usage:- Conditional

Description:- Indicates that the claim was previously advised to the insuring market by manual means prior to its advice via CLAIMS

Values:- Y (yes)

Field - CEDANT IN LIQUIDATION

TCG Reference:- None Format:- X

Usage:- Conditional

Description:- Indicates if cedant is in liquidation.

Values:- Y (yes)

4.1.11 Field - ASSOCIATED CLAIM REFERENCE

TCG Reference:- None Format:- X(17)

Usage:- Conditional

Description:- The Unique Claim Reference of another claim to which the advice is related.

4.1.12 Field - ASSOCIATED TRANSACTION REFERENCE

TCG Reference:- None Format:- X(17)

Usage:- Conditional

Description:- The Unique Transaction Reference of another claim movement to which this advice is related.

4.1.13 Field - CONFIDENTIALITY INDICATOR

TCG Reference:- None Format:- X

Usage:- Conditional

Description:- Used by Salvage association to indicate that the advice is confidential and has not been passed onto Brokers.

Values:- Y (yes)

4.2 NAD - NAME AND ADDRESS

4.2.1 Field - PARTY QUALIFIER

TCG Reference:- None Format:- X(3)

Usage:- Mandatory

Description:- Describes party to whom the name and address details apply.

Values:- BK (Broker for this message)

AD (Adjuster)
LA (Lawyer)
LD (Bureau Lead Insurer)
SL (Slip Lead)
AG (Setting Agent)

4.2.2 Field - PARTY IDENTIFICATION, CODED

TCG Reference:- 1.5 Format:- 9(4)
Usage:- Conditional

BROKER (Qualifier = BK):

Description:- Broker 4-alphanumeric code
Identifier, relating to current Broker
for this message.

BUREAU LEAD INSURER (Qualifier LD):

TCG Reference:- 1.2 Format:- 9(6)
Description:- Unique code to identify the ILU lead insurer.

4.2.3 Field - PARTY NAME

Usage:- Conditional

ADJUSTER (Qualifier = AD):

TCG Reference:- 4.60 Format:- X(20)

Description:- Name of adjuster.

LAWYER (Qualifier = LA):

TCG Reference:- 4.62 Format:- X(20)

Description:- Name of lawyer/attorney.

SLIP LEAD (Qualifier = SL):

TCG Reference:- 2.4 Format:- X(20)

Description:- Free format identification of the slip lead insurer.

SETTLING AGENT (Qualifier = AG):

TCG Reference:- 4.56 Format:- X(35)

Description:- Name of overseas settling agent.

Note:- This will only be completed for CPA claims.

4.3 CTA - CONTACTS

4.3.1 FIELD - CONTACT FUNCTION CODE

TCG Reference:- None Format:- X(2)

Usage:- Mandatory

Description:- Function code to describe the type of contact.

Values:- BK (Broker)

4.3.2 Field:- DEPARTMENT OR EMPLOYEE

TCG Reference:- None Format:- X(15)

Usage:- Conditional

Description:- Name of the information contact in the broker's office.

4.3.3 Field - COMMUNICATION NUMBER

TCG Reference:- None Format:- X(15)

Usage:- Conditional

Description:- Telephone number of the contact.

4.4 RFF - References**4.4.1 Field - REFERENCE NUMBER QUALIFIER**

TCG Reference:- None Format:- X(3)

Usage:- Mandatory

Description:- Describes party to whom references apply.

Values:-

BK1	(Broker ref 1)
BK2	(Broker ref 2)
LA	(Lawyer)
AD	(Adjuster)
AG	(Settling agent)

4.4.2 Field - REFERENCE NUMBER

Usage:- Mandatory

BROKER REFERENCE 1 (Qualifier = BK1):

TCG Reference:- 1.8 Format:- X(12)

Description:- The broker's primary reference for the claim.

BROKER REFERENCE 2 (Qualifier = BK2):

TCG Reference:- 1.9 Format:- X(12)

Description:- The broker's secondary reference for the claim.

LAWYER (Qualifier = LA):

TCG Reference:- 4.63 Format:- X(15)

Description:- Lawyer reference

ADJUSTER (Qualifier = AD):

TCG Reference:- 4.61 Format:- X(15)
Description:- Adjuster reference

SETTLING AGENT (Qualifier = AG):

TCG References:- 4.55 Format:- X(12)

Description:- CPA certificate number

Note:- If more than one CPA certificate number needs to be given, this will be done by repeating the RFF segment for qualifier 'AG'

within the NAD segment group. Up to 4 CPA certificate numbers may be returned for entries by the CPA department.

4.5 CRD - CLAIM RISK DETAILS

4.5.1 Field - INSURED

TCG Reference:- 4.1 Format:- X(50)

Usage:- Conditional

Description:- Name of the insured party or coverholder.

4.5.2 Field - REINSURED/RETROCEDANT

TCG Reference:- 4.2 Format:- X(50)

Usage:- Conditional

Description:- Name of the Reinsured company.

4.5.3 Field - ORIGINAL INSURED

TCG Reference:- None

Usage:- Conditional

Description:- Name of original insured. This is where the claim occurs on a reinsurance risk, and this field is the name of the party originally insured.

Values:- 50 character alphanumeric field.

4.5.4 Field - INTEREST

TCG Reference:- 4.11 Format:- X(70)

Usage:- Conditional

Description:- Free format description of the interest.

4.5.5 Field - PERILS/CONDITIONS

TCG Reference:- 4.16 Format:- X(70)

Usage:- Conditional

Description:- Free format description of the perils/conditions.

4.5.6 Field - LOCATION/VOYAGE

TCG Reference:- 4.8 Format:- X(70)

Usage:- Conditional

Description:- Description of the situation of insured interest, or the journey over which the interest is insured.

4.5.7 Field - SLIP ORDER NON STANDARD

TCG Reference:- 3.12 Format:- X

Usage:- Conditional

Description:- Indicates that further order details are shown within the Sum Insured narrative FTX segment (Subject code 008).

Values:- Y (yes)

4.5.8 Field - SLIP ORDER 1

TCG Reference:- 3.10 Format:- 9(3).9(7)

Usage:- Conditional

Description:- First percentage order for the policy.

Note:- If this is not given then the order is taken to be 100%

4.5.9 Field - SLIP ORDER 2

TCG Reference:- 3.11 Format:- 9(3).9(7)

Usage:- Conditional

Description:- Second percentage order for the policy.

Note:- Where both orders are present, applying one to the other should give

the 'net' order

4.6 AMT - AMOUNT DETAILS

4.6.1 Field - AMOUNT TYPE

TCG Reference:- None Format:- an..3

Usage:- Mandatory

Description:- This code identifies the amount within the segment.

Values:- 016 -SUM INSURED 100PC
017 -EXCESS AMOUNT 100PC
018 -VALUE OF INTEREST 100PC
037 -UNDERLYING AGGREGATE EXCESS

4.6.2 Field - AMOUNT FOR ITEM

Usage:- Mandatory

SUM INSURED 100PC (Type = 16)

TCG Reference:- 3.1 Format:- -9(13).99

Description:- The sum insured for the risk to which the claim relates.

Note:- May be repeated, in up to 3 currencies.

EXCESS AMOUNT 100PC (Type = 17)

TCG Reference:- 3.6 Format:- -9(13).99

Description:- The excess/deductible for the risk to which the claim relates.

Note:- May be repeated, in up to 3 currencies.

VALUE OF INTEREST (Type = 18)

TCG Reference:- 4.12 Format:- -
 9(13).99 Description:- The value of interest within
 the risk to which the claim relates.

Note:- May be repeated, in up to 3 currencies.

4.6.3 Field - AMOUNT CURRENCY

TCG Reference:- None Format:- X(3)
 Usage:- Mandatory
 Description:- Specifies the currency of the amount.

4.6.4 Field - AMOUNT QUALIFIER

TCG Reference:- None Format:- X(3)
 Usage:- Conditional
 Description:- Allows for a further coded description of the amount contained
 within this segment.
 Values:- N(Valid for all entry codes. Amount = Nil)
 D (Valid for entry type 16. There are additional free format
 amount details present in Sum Insured Narrative FTX
 segment - code 8)

4.7 CLM - CLAIM DETAILS

4.7.1 Field - LOSS LOCATION

TCG Reference:- 4.3 Format:- X(50)

Usage:- Conditional

Description:- Free format details of loss location.

4.7.2 Field - LOSS NAME

TCG Reference:- None Format:- X(20)

Usage:- Mandatory

Description:- Name of the loss involved with the claim.

4.7.3 Field - VESSEL/AIRCRAFT

TCG Reference:- 4.3 Format:- X(50)

Usage:- Conditional

Description:- Free format details of vessel or aircraft involved in the claim.

4.7.4 Field - WAR INDICATOR

TCG Reference:- None Format:- X

Usage:- Conditional

Description:- Indicates that the claim is a War loss.

Values:- Y (Yes).

4.7.5 Field - CLAIM TYPE CODE

TCG Reference:- 4.57 Format:- X(3)

Usage:-Conditional
(Mandatory for all claims
except for Bulk Settlements)

Description:- A code describing the type of claim.

Values:-

1 st Character =	A	Aviation
	M	Marine
2 nd Character =	C	Cargo
	E	Energy
	H	Hull
	L	Liability
	P	Pollution
	X	Excess of Loss
3 rd Character =	Space	

4.8 DTM - DATE/TIME REFERENCE**4.8.1 Field - DATE./TIME QUALIFIER**

TCG Reference:- None Format:- X(3)

Usage: Mandatory

Description:- A qualifier which identifies the date to which the segment relates.

Values:-	001	DATE OF LOSS FROM
	002	DATE OF LOSS TBA
	003	DATE OF LOSS VARIOUS
	004	DATE OF LOSS NOT ADVISED
	005	DATE OF LOSS SEE NARRATIVE
	006	DATE OF LOSS TO
	011	DATE OF DISCOVERY
	012	DATE OF MANIFESTATION
	013	DATE OF PERIODIC DECLARATION
	014	DATE OF EXPOSURE PERIOD
	015	PERIOD OF POLICY FROM
	016	PERIOD OF POLICY TO
	017	PERIOD OF POLICY NON STANDARD

4.8.2 Field - DATE CODED

Usage:- Conditional

DATE OF LOSS FROM (Qualifier = 001)

TCG Reference: 4.47 Format:- 9(8)

Description:- Date of loss for the claim. For losses extending over a period of days, this date is the first date of that period.

Note:- Date format is YYYYMMDD.

MM and DD may be expressed as 00 if month or day of the loss is unknown (this facility may not be used if a DATE OF LOSS TO is also provided within the message).

DATE OF LOSS TBA (Qualifier = 002)

TCG Reference:- None Format:- 9(8)

Description:- The date of loss is to be advised.

Note:- The DATE field will be zeros in this instance.

DATE OF LOSS VARIOUS (Qualifier = 003)

TCG Reference:- None Format:- 9(8)

Description:- The claim relates to various dates of loss.

Note:- The DATE field will be zeros in this instance.

DATE OF LOSS NOT ADVISED (Qualifier = 004)

TCG Reference:- None Format:- 9(8)

Description:- The date of loss is not known.

Note:- The DATE field will be zeros in this instance.

DATE OF LOSS SEE NARRATIVE (Qualifier = 005)

TCG Reference:- None Format:- 9(8)

Description:- The date of loss cannot be expressed in a coded format

Note:- The DATE field will be zeros in this instance.

Free-format date of loss details can be found in an FTX segment with a Text Subject code of '001'.

DATE OF LOSS TO (Qualifier = 006)

TCG Reference:- 4.48 Format:- 9(8)

Description:- For losses which extend over a period of days, this is the last day of that period.

Note:- Date format is YYYYMMDD.

DATE OF DISCOVERY (Qualifier = 011)

TCG Reference:- None Format:- 9(8)

Description:- The date that the loss was discovered. Used as an alternative to the date of loss

Note:- Date format is YYYYMMDD

DATE OF MANIFESTATION (Qualifier = 012)

TCG Reference:- None Format:- 9(8)

Description:- The date that the loss manifested itself. Used as an alternative to the date of loss.

Note:- Date format is YYYYMMDD.

DATE OF PERIODIC DECLARATION (Qualifier = 013)

TCG Reference:- None Format:- 9(8)

Description:- The date of the periodic declaration in which the loss falls. Used as an alternative to date of loss.

Note:- Date format is YYYYMMDD.

DATE OF EXPOSURE PERIOD (Qualifier = 014)

TCG Reference:- None Format:- 9(8)

Description:- The date of the exposure period into which the loss falls. Used as an alternative to the date of loss.

Note:- Date format is YYYYMMDD.

PERIOD OF POLICY FROM (Qualifier = 015)

TCG Reference:- 4.4 Format:- 9(8)

Description:- Date of inception of the policy. For re-signed long term risks it represents the start of the un-expired period of cover.

Notes:- Date format is YYYYMMDD.

PERIOD OF POLICY TO (Qualifier = 016)

TCG Reference:- 4.5 Format:- 9(8)

Description:- Date of expiry of the policy.

Note:- Date format is YYYYMMDD.

PERIOD OF POLICY NON STANDARD (Qualifier = 017)

TCG Reference:- None:- Format:- 9(8)

Description:- The period of policy cannot be expressed in a coded format.

Note:- The date will be zeros in this instance.
Free format period of policy details can be found in an FTX segment with a Text Subject Code of '003'.

4.9 CUX - CURRENCIES

4.9.1 Field - CURRENCY CODE (REFERENCE)

TCG Reference:- 5.4 Format:- X(3)

Usage:- Mandatory

Description:- ISO Currency code for original currency.

4.9.2 Field - CURRENCY CODE (TARGET)

TCG Reference:- 5.6 Format:- X(3)

Usage:- Conditional

Description:- ISO Currency code for settlement currency.

Note:- For non-settlement transactions, this will not be sent

4.9.3 Field - RATE OF EXCHANGE

TCG Reference:- None Format:- 9(7).9(5)

Usage:- Conditional

Description:- The rate of exchange used to convert target
currency to reference currency by division.

Note:- Where the reference currency and the target
currency are the same, this is not sent.

Where the reference currency and the target currency are different, then this field cannot be blank.

4.10 AMT - AMOUNT DETAILS

4.10.1 Field - AMOUNT TYPE

TCG Reference:- None Format:- X(3)

Usage:- Mandatory

Description:- This code identifies the amount within the segment.

Values:-	001	-	OUTSTANDING AMOUNT
	002	-	PREV SETTLED AMOUNT
	006	-	FEES O/S AMOUNT
	008	-	PAID CLAIM AMOUNT
	009	-	RESERVE RETAINED
	010	-	RESERVE RELEASED
	011	-	INTEREST
	012	-	TAX EXCLUDING VAT
	013	-	VAT
	014	-	CLAIM AMOUNT 100PC
	015	-	CLAIM AMOUNT FEES 100PC
	044	-	TAX EXCLUDING VAT

For all claim amounts, the 'sign' for the amount is positive if it is due to the Company and negative if it is due to the Broker.

4.10.2 Field - AMOUNT FOR ITEM

Usage:- Conditional

OUTSTANDING AMOUNT (Type = 001)

TCG Reference:- 5.44 Format:- -9(13).99

Description:- The current Outstanding amount for the claim as advised to the Broker including any outstanding fees amounts, expressed as a 100% figure in reference currency.

PREV SETTLED AMOUNT (Type = 002)

TCG Reference:- 5.42 Format:- -9(13).99

Description:- The amount previously settled for the claim, expressed as a 100% figure in reference currency.

FEES O/S AMOUNT (Type = 006)

TCG Reference:- None Format:- -9(13).99

Description:- The part of the Outstanding amount for the claim that relates to Fees, expressed as a 100% figure rather than a bureau share.

PAID CLAIM AMOUNT (Type = 008)

TCG Reference:- None Format:- -9(13).99

Description:- The part of the settled amount (CLAIM AMOUNT 100PC) for the claim transaction that relates to the actual amount paid on the claim itself (as opposed to tax etc settled amounts). Expressed as a 100% figure rather than a bureau share.

RESERVE RETAINED (Type = 009)

TCG Reference:- None Format:- -9(13).99

Description:- The part of the settled amount (CLAIM AMOUNT 100PC) for the claim transaction that relates to the reserve retained by a reinsured. Expressed as a 100% figure rather than a bureau share.

RESERVE RELEASED (Type = 010)

TCG Reference:- None Format:- -9(13).99

Description:- The part of the settled amount (CLAIM AMOUNT 100PC) for the claim transaction that relates to the reserve released by a reinsured. Expressed as a 100% figure rather than a bureau share.

INTEREST (Type = 011)

TCG Reference:- None Format:- -9(13).99

Description:- The part of the settled amount (CLAIM AMOUNT 100PC) for the claim transaction that relates to interest on the reserve retained by a reinsured. Expressed as a 100% figure rather than a bureau share.

TAX EXCLUDING VAT (TYPE = 012)

TCG Reference:- None Format:- -9(13).99

Description:- The part of the settled amount (CLAIM AMOUNT 100PC) for the claim transaction that relates to tax (other than VAT). Expressed as a 100% figure in target currency.

Note:- This is used for imported services.

VAT (Type = 013)

TCG Reference:- 5.37 Format:- -9(13).99

Description:- The part of the settled amount (CLAIM AMOUNT 100PC) for the claim transaction that relates to VAT, expressed as a 100% figure, in target currency.

CLAIM AMOUNT 100PC (Type = 014)

TCG Reference:- 5.36 Format:- -9(13).99

Description:- The settled amount for the claim transaction, expressed as a 100% figure, in reference currency and target currency.

CLAIM AMOUNT FEES 100PC (Type = 015)

TCG Reference:- None Format:- -9(13).99

Description:- The part of the settled amount (CLAIM AMOUNT 100PC) for the claim transaction that relates to Fees, expressed as a 100% figure rather than bureau share.

TAX EXCLUDING VAT (TYPE = 044)

TCG Reference:- None Format:- -9(13).99

Description:- The part of the settled amount (CLAIM AMOUNT 100PC) for the claim transaction that relates to tax (other than VAT). Expressed as a 100% figure in target currency.

4.10.3 Field - AMOUNT CURRENCY

TCG Reference:- None Format:- X(3)

Usage:- Mandatory

Description:- Specifies the currency of the amount.

Note:- This currency must be the same as either the Reference or the target currency within the CUX segment above.

4.10.4 Field - AMOUNT QUALIFIER

TCG Reference:- None Format:- X(3)

Usage:- Conditional

Description:- Allows for a further coded description of the amount contained within this segment.

Note:- The qualifier is only used with Amount Type 001.

Values:-

- T Amount is to be advised. Corresponding amount must be zero if this qualifier value is used.
- N Amount is nil. Corresponding amount must be zero if this qualifier value is used.
- D Additional free format amount details are present in the Loss Details' FTX segment (Text Subject Code = 001)
It is not necessary for the corresponding amount to be zero if this qualifier value is used.
- F Fees are expected. It is not necessary for the corresponding amount to be zero if this qualifier is used.
- P Advice is Precautionary. Corresponding amount must be zero if this qualifier value is used.
- C Claim is 'closed'. All outstanding amounts in

different currencies for the claim must be set to zero if this qualifier is used.

L No Outstanding amount exists because this claim is a part of a Block advice already included within another claim. Corresponding amount must be zero if this qualifier is used.

R A recovery is expected. It is not necessary for the corresponding amount to be zero if this qualifier is used.

S Subrogation is expected. It is not necessary for the corresponding amount to be zero if this qualifier is used.

V Salvage is expected. It is not necessary for the corresponding amount to be zero if this qualifier is used.

4.11 FTX - FREE TEXT

4.11.1 Field - TEXT SUBJECT CODE

TCG Reference:- None Format:- X(3)

Usage:- Mandatory

Description:- Code to identify the data contained within this occurrence of the FTX segment.

Values:- 001 Date of Loss Narrative

003	Period of Policy Narrative
008	Sum Insured Narrative
009	Loss Details
010	Bureau Lead Comments
011	Additional Details
012	Slip Lead Comments
013	Imported Services Narrative
014	Bureau Lead Additional Details
015	Aggregate Details
017	User Index Details
061	EDR Indicator

4.11.2 Field - TEXT FUNCTION CODE

TCG Reference:-	None	Format:-	XX
Usage:-	Conditional		
Description:-	A code to indicate that the accompanying text is private.		
Note:-	This is only used with BUREAU LEAD COMMENTS.		
Values:-	PR Private		

4.11.3 Field - FREE TEXT

Usage:-	Mandatory
---------	-----------

DATE OF LOSS NARRATIVE (Code 001)

TCG Reference:-	None	Format:-	X(30)
-----------------	------	----------	-------

Description:- Description of the Date of Loss details, where that cannot be given in codified date form or where there is detail available in addition to the codified dates.

Note:- This must be sent if a DTM segment with qualifier of 05 is present in the message.

PERIOD OF POLICY NARRATIVE (Code 003)

TCG Reference:- 4.7 Format:- X(40)

Description:- Description of the policy period, either instead of or supplementary to the codified policy period date fields.

Note:- This must be sent if a DTM segment with qualifier of 017 is present in the message.

SUM INSURED NARRATIVE (Code 008)

TCG Reference:- 3.4 Format:- X(50)
(Up to 2 lines)

Description:- Description of the Slip Order.

Note:- This must be sent if SLIP ORDER NON-STANDARD INDICATOR is set to 'Y'.

LOSS DETAILS (Code 009)

TCG Reference:- 4.37 Format:- X(70)
(Up to 5 lines)

Description:- Description of the claim.

BUREAU LEAD COMMENTS (Code 010)

TCG Reference:- None Format:- X(70)
(Up to 15 lines)

Description:- Comments added by the Bureau
Lead Insurer to the claim
movement.

ADDITIONAL DETAILS (Code 011)

TCG Reference:- None Format:- X(70)
(Up to 60 lines)

Description:- Additional details relating to this claim
movement, as supplied by the broker.

SLIP LEAD COMMENTS (Code 012)

TCG reference:- None Format:- X(70)
(Up to 15 lines)

Description:- Comments made by the slip lead
where this is different from the
Bureau lead. Sent by Broker as part
of the original transmission of the
claim message.

IMPORTED SERVICES NARRATIVE (Code 013)

TCG Reference:- None Format:- X(20)

Description:- Free-format details of the Imported Services.

BUREAU LEAD ADDITIONAL DETAILS (Code 014)

TCG Reference:- None Format:- X(70)
(Up to 60 lines)

Description:- Additional information supplied by the Bureau Leader relating to the claim. This is sent as an Interim Advice with Transaction Subtype of 008.

AGGREGATE DETAILS (Code 015)

TCG Reference:- None Format:- X(70)
(Up to 495 lines)

Description:- Details of the items in the Aggregate Claim, as supplied by the broker.

USER INDEX DETAILS (Code 017)

TCG Reference:- None Format:- See below

Description:- Details of a CLAMS Index entry created by a user.

One FTX segment will be provided for each entry, formatted as follows:

Line 1	-	User Id	PIC X(8)
Line 2	-	User Name	PIC X(20)

4.12.2 Field - ORIGINAL CURRENCY

TCG Reference:- 5.4 Format:- X(3)

Usage:- Conditional

Description:- Original currency relating to the Bureau
Transaction Reference within this segment.

Note:- Must be the same as the reference currency sent
within one of the CUX segments in segment Group 3

Only present for settlement transactions.

4.12.3 Field - SETTLEMENT CURRENCY

TCG Reference:- 5.6 Format:- X(3)

Usage:- Conditional

Description:- Settlement currency relating to the Bureau Transaction
Reference within this segment.

Note:- Must be the same as the target currency sent
within the CUX segment containing the original currency.

Only present for settlement transactions, when settlement
Currency is not the same as original currency.

4.12.4 Field - BUREAU TRANSACTION REFERENCE

TCG Reference:- 1.1 Format:- X(15)

Usage:- Conditional

Description:- This field contains the ILU signing reference given to a claim settlement.

4.13 MKT - INSURING MARKET DETAILS**4.13.1 Field - COMPANY/SYNDICATE IDENTIFICATION**

TCG Reference:- 1.2 Format:- 9(9)

Usage:- Mandatory

Description:- Identification code of the insuring company.

4.13.2 Field - COMPANY/SYNDICATE SIGNED LINE %

TCG Reference:- 2.1 Format:- 9(3).9(7)

Usage:- Mandatory

Description:- The insurer's percentage share of the claim (the percentage that if applied to the claim amounts within the AMT segment above, would give the insurers share of those amounts).

4.13.3 Field - COMPANY/SYNDICATE REFERENCE

TCG Reference:- 1.3 Format:- X(15)

Usage:- Mandatory

Description:- The insurer's risk reference, as entered by him
onto the insurance placing document.

4.13.4 Field - COMPANY/SYNDICATE CASH/LOC INDICATOR

TCG Reference:- None Format:- X

Usage:- Conditional

Description:- Indicates that payment is fully cash or fully LOC.

Values:- L = Fully Letter of Credit

C = Fully Cash or Cash & Letter of Credit

4.13.5 Field - COMPANY/SYNDICATE CASH AMOUNT

TCG Reference:- None Format:- -9(13).99

Usage:- Conditional

Description:- Amount of the claim cash settlement for the Company in
settlement currency. This will be paid through
ILU central settlement.

4.13.6 Field - COMPANY/SYNDICATE LOC AMOUNT

TCG Reference:- None Format:- -9(13).99

Usage:- Conditional

Description:- Amount of the claim LOC settlement for the
company in settlement currency.

This is for information only. The ILU has no
involvement in payments of this amount.

4.14 LCR - LETTER OF CREDIT DETAILS**4.14.1 Field - LOC REFERENCE**

TCG Reference:- None Format:- X(7)

Usage:- Mandatory

Description:- The reference for the Letter of Credit.

4.15 BLK - BULK DETAILS**4.15.1 Field - UNIQUE CLAIM REFERENCE**

TCG Reference:- None Format:- X(17)

Usage:- Mandatory

Description:- Unique Reference that identifies the claim
represented by this bulk item.

4.15.2 Field - TRANSACTION REFERENCE

TCG Reference:- None Format:- X(17)

Usage:- Mandatory

Description:- A reference which when taken in conjunction with the UCR uniquely identifies the new claim movement for the bulk item.

4.15.3 Field - LOSS DATE

TCG Reference:- 4.47 Format:- 9(8)

Usage:- Conditional

Description:- Date of loss for the claim item. If day or month part of the date is not known, they may be shown as zero's. For losses extending over a period of days, this date is the first date of that period.

Valid Vals:- Numeric date field in format YYYYMMDD. MM and DD may be expressed as 00 if month or day of the loss is unknown.

4.15.4 Field - LOSS NAME

TCG Reference:- None Format:- X(20)

Usage:- Mandatory

Description:- Name of the loss involved with the claim item.

4.16 CUX - CURRENCIES

4.16.1 Field - CURRENCY CODE (REFERENCE)

TCG Reference:- 5.4 Format:- X(3)

Usage:- Mandatory

Description:- ISO currency code for original currency.

4.16.2 Field - CURRENCY CODE (TARGET)

TCG Reference:- 5.6 Format:- X(3)

Usage:- Conditional

Description:- ISO currency code for settlement currency.

Note:- For non-settlement transactions, this will not be sent.

4.16.3 Field - RATE OF EXCHANGE

TCG Reference:- None Format:- 9(7).9(5)

Usage:- Conditional

Description:- The rate of exchange used to convert target
currency to reference currency by division.

Note:- Where the reference currency and the target currency are the same, this is not sent. Where the reference currency and the target currency are different, then this field cannot be blank.

4.17 AMT - AMOUNT DETAILS

4.17.1 Field - AMOUNT TYPE

TCG Reference:- None Format:- X(3)

Usage:- Mandatory

Description:- This code identifies the amount within the segment.

Valid Vals:-

001	-	OUTSTANDING AMOUNT
002	-	PREV SETTLED AMOUNT
012	-	TAX EXCLUDING VAT
013	-	VAT
014	-	CLAIM AMOUNT 100PC

4.17.2 Field - AMOUNT FOR ITEM

Usage:- Conditional

OUTSTANDING AMOUNT (Type = 001)

TCG Reference:- 5.44 Format:- -9(13).99

Description:- The current Outstanding amount for the item as advised to the Broker, including any outstanding fees amounts, expressed as a 100% figure rather than bureau share.

PREV SETTLED AMOUNT (Type = 002)

TCG Reference:- 5.42 Format:- -9(13).99

Description:- The amount previously settled for the item expressed as a 100% figure rather than bureau share.

Note:- Signed 15 character numeric with decimal places. Can be zero.

TAX EXCLUDING VAT (Type = 012)

TCG Reference:- None Format:- -9(13).99

Description:- The part of the settled amount (CLAIM AMOUNT 100PC) for the claim transaction that relates to tax (other than VAT). Expressed as a 100% figure in target currency.

Note:- This is used for imported services.

VAT (Type = 013)

TCG Reference:- 5.37 Format:- -9(13).99

Description:- The part of the settled amount (CLAIM AMOUNT 100PC) for the claim transaction that relates to VAT. Expressed as 100% figure in settlement currency.

CLAIM AMOUNT 100PC (Type = 014)

TCG Reference:- 5.36 Format:- -9(13).99

Description:- The settled amount for the item transaction,

expressed as 100% figure in reference currency and in target currency.

4.17.3 Field - AMOUNT CURRENCY

TCG Reference:- None Format:- X(3)

Usage:- Mandatory

Description:- Specifies the currency of the amount.

Note:- This currency must be the same as either the reference or the target currency within the CUX segment above.

4.17.4 Field - AMOUNT QUALIFIER

TCG Reference:- None Format:- X(3)

Usage:- Conditional

Description:- Allows for a further coded description of the amount contained within the segment.

Note:- The qualifier is only used with Amount Type 001.

Value:- T - Amount is to be advised. Corresponding amount must be zero if this qualifier value is used.

N - Amount is Nil. Corresponding amount must be zero if this qualifier is used.

- F - Fees are expected. It is not necessary for the corresponding amount to be zero if this qualifier is used.
- P - Advice is Precautionary. Corresponding amount must be zero if this qualifier value is used.
- C - Claim is 'closed'. All outstanding amounts in different currencies previously advised for the claim must be set to zero if this qualifier is used.
- R - A Recovery is expected. It is not necessary for the corresponding amount to be zero if this qualifier is used.
- S - Subrogation is expected. It is not necessary for the corresponding amount to be zero if this qualifier is used.
- V - Salvage is expected. It is not necessary for the corresponding amount to be zero if this qualifier is used.

4.18 CMI - CLAIM ITEMS

4.18.1 Field - CLAIM ITEM QUALIFIER

TCG Reference:- None Format:- X(3)

Usage:- Mandatory

Description:- Qualifier that gives the type of itemised claim.

Values:- 'COV' – Cover claim item.

4.18.2 Field - CLAIM ITEM REFERENCE

TCG Reference:- None Format:- 9(3)

Usage:- Mandatory

Description:- A reference number which identifies a claim item
that applies to Cover collection.

4.18.3 Field - LOSS NAME

TCG Reference:- None Format:- X(20)

Usage:- Mandatory

Description:- Name of the loss involved with the claim.

4.19 DTM - DATE/TIME REFERENCE

4.19.1 Field - DATE/TIME QUALIFIER

TCG Reference:- None Format:- X(3)

Usage:- Mandatory

Description:- A qualifier which identifies the date to which the segment
Relates.

Values:- 001 - DATE OF LOSS FROM

4.19.2 Field - DATE CODED

Usage:- Mandatory

DATE OF LOSS FROM (Qualifier - = 001)

TCG Reference:- 4.47 Format:- 9(8)

Description:- Date of loss for the claim.
For losses extending over a period
of days, this date is the first date
of that period.

Note:- Date format is YYYYMMDD.
MM and DD may be expressed as 00 if
month or day of the loss is unknown.

4.20 MT - AMOUNT DETAILS

4.20.1 Field - AMOUNT TYPE

TCG Reference:- None Format:- X(3)

Usage:- Mandatory

Description:- This code identifies the amount within the segment.

Values:- 030 - SETTLED THIS TIME FOR ITEM

4.20.2 Field - AMOUNT FOR ITEM

Usage:- Mandatory

SETTLED THIS TIME FOR ITEM (Type = 030)

TCG Reference:- Format:- -9(13).99

Description:- The amount for the item that is being settled in transaction.

4.20.3 Field - AMOUNT CURRENCY

TCG Reference:- None Format:- X(3)

Usage:- Mandatory

Description:- Specifies the currency of the amount.

Note:- must be a valid ISO currency. Must match one of the Target Currencies within a CUX segment in segment Group 3